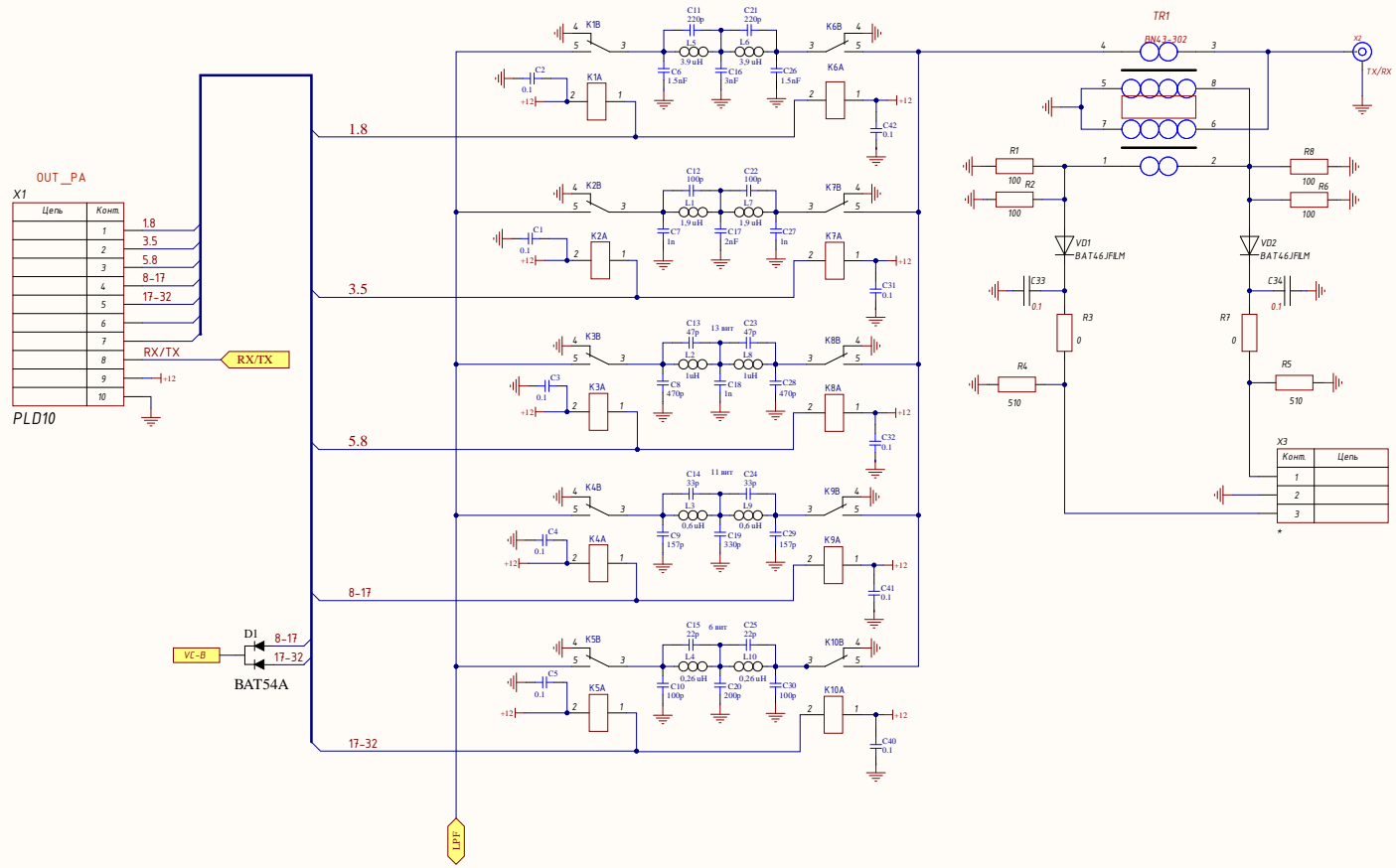


Конт.	Цель
2	
1	



OUT\_PA

Цепь	Комп
1	1.8
2	3.5
3	5.8
4	8-17
5	17-32
6	
7	
8	RX/TX
9	+12
10	

PLD10

Изм.	Лист	№ докум.	Подп.	Дата

Comment	Description	Designator	Footprint	LibRef	Quantity
0.1		C1, C2, C3, C4, C5, C31, C32, C33, C34, C40, C41, C42, C51, C52, C54, C55, C59, C60, C63, C64, C65, C70, C71, C72, C73, C78, C80, C81, C82, C83, C84	CH0805C	C_smd, Capacitor	31
1.5nF		C6, C26	CH1206C	C_smd	2
1n		C7, C18, C27	CH1206C	C_smd	3
470p		C8, C28	CH1206C	C_smd	2
157p		C9, C29	CH1206C	C_smd	2
100p		C10, C12, C22, C30, C77, C79	CH1206C	C_smd, Capacitor	6
220p		C11, C21	CH1206C	C_smd	2
47p		C13, C23	CH1206C	C_smd	2
33p		C14, C24	CH1206C	C_smd	2
22p		C15, C25	CH1206C	C_smd	2
3nF		C16	CH1206C	C_smd	1
2nF		C17	CH1206C	C_smd	1
330p		C19	CH1206C	C_smd	1
200p		C20	CH1206C	C_smd	1
22x16		C53, C56	TANTAL_B	AlumCap	2
10n		C57, C58, C61, C62, C66, C67	CH0805C	Capacitor	6
10n		C68, C69	CH1206C	Capacitor	2
0.1		C74, C75	CH1206C	Capacitor	2
220x35		C76	D8C3.2H12	AlumCap	1
BAT54A		D1	SOT23_132	BAT54	1
10uH		DR1	DR2	Inductor-1	1
JP1		JP1	CON: PLS-2	JP2	1
JP2		JP2	CON: PLS-2	JP2	1
		K1, K2, K3, K4, K5, K6, K7, K8, K9, K10, K11, K12, K13	GSV-1	GSV-1	13
1.9 uH		L1, L7	T50-2	L	2
1uH		L2, L8	T50-6	L	2
0.6 uH		L3, L9	T50-6	L	2
0.26 uH		L4, L10	T50-6	L	2
3.9 uH		L5	T50-2	L	1
3.9 uH		L6	T50-2	L	1
100		R1, R2, R6, R8	CH1206R	Resistor	4
0		R3, R7	CH0805R	Resistor	2
510		R4, R5	CH0805R	Resistor	2
300		R9, R11	CH0805R	Resistor	2
18		R10	CH0805R	Resistor	1
10K		R12, R13	CH0805R	Resistor	2
1K		R14, R29, R30, R31	CH0805R	Resistor	4
330		R15, R16, R18, R19, R20, R24	CH0805R	Resistor	6
150*		R17	CH0805R	Resistor	1
10		R21	CH0805R	Resistor	1
33		R22, R23	CH0805R	Resistor	2
		R25, R28	RES: 3296W	ADJ resistor	2
2.2K		R26, R27	CH1206R	Resistor	2
2.2K		R32, R33	CH0805R	Resistor	2
BN-43-302		T1	FT-37-43	BN-43-302	1
BN43-302		TR1	TANDEM	BN43-302	1
TR-kolco		TR2	TR-Kolco	TR-kolco	1
TR-UM		TR3	TR-UM	TR-UM	1
LM7809		U3	DPAK	Kren_5	1
BAT46\FILM		VD1, VD2	D9B	Diod	2
1N4148		VD3	SOD123	Diod	1
IRFR6402		VT1	SOT23_132	P-KANAL	1
		VT2	SOT23_123	N-P-N	1
BFG591		VT3, VT4	BFG	N-P-N	2
RD16HHF1		VT5, VT6	rd16	N	2
PLD10		X1	CON: PLD-10	10-Connector	1
TX-IN	RF	X1	CON: SMA	SMA	1
TX/RX	RF	X2	Connect	SMA	1
		X3	CON: CWF-3	3-Connector	1
		X5	CON: 300-02P-5.0	2-Connector	1