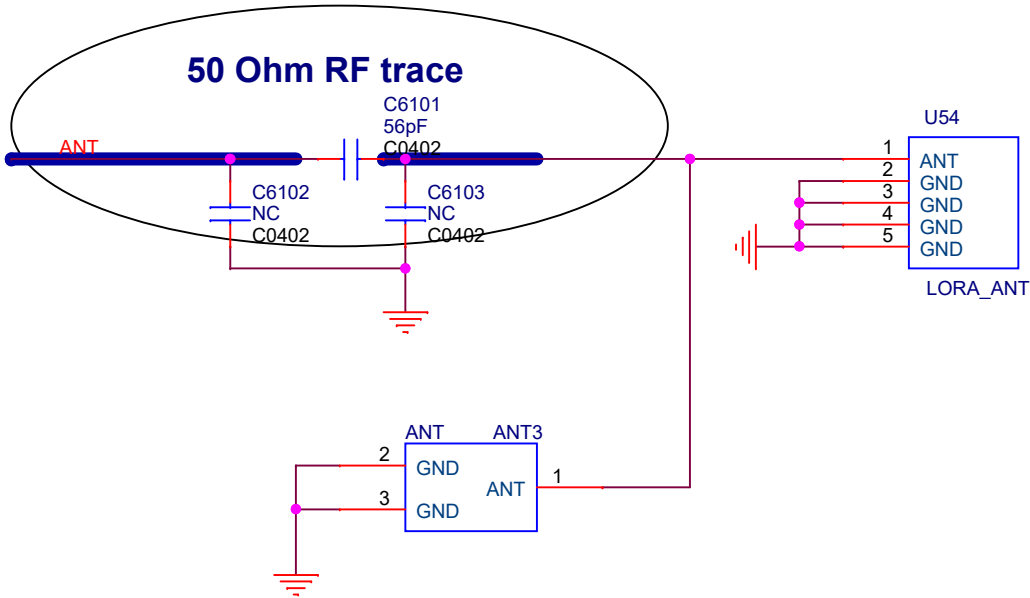
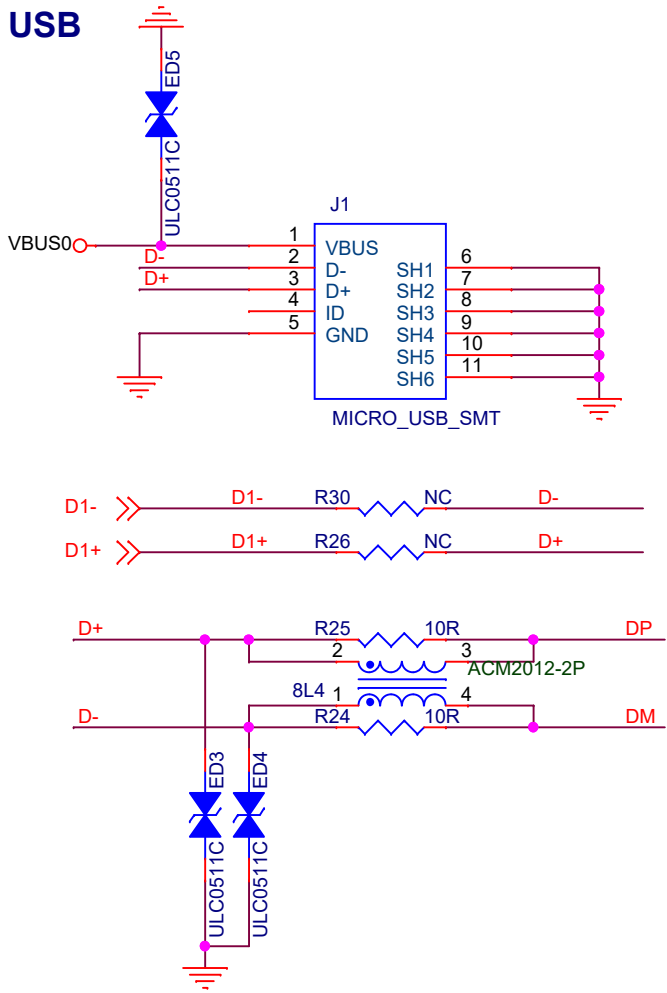


IO23=IRQ/RESET
 IO18=NSS/SEL
 IO5=SCK
 IO27=MOSI/SDI
 IO19=MISO/SDO
 IO26=DI0/IO0

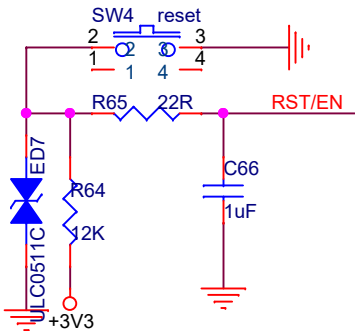


Title		
T22_V1.0		
Size	Document Number	Rev
A	TTGO LORA	V1.0
Date:	Thursday, May 21, 2020	Sheet 1 of 5

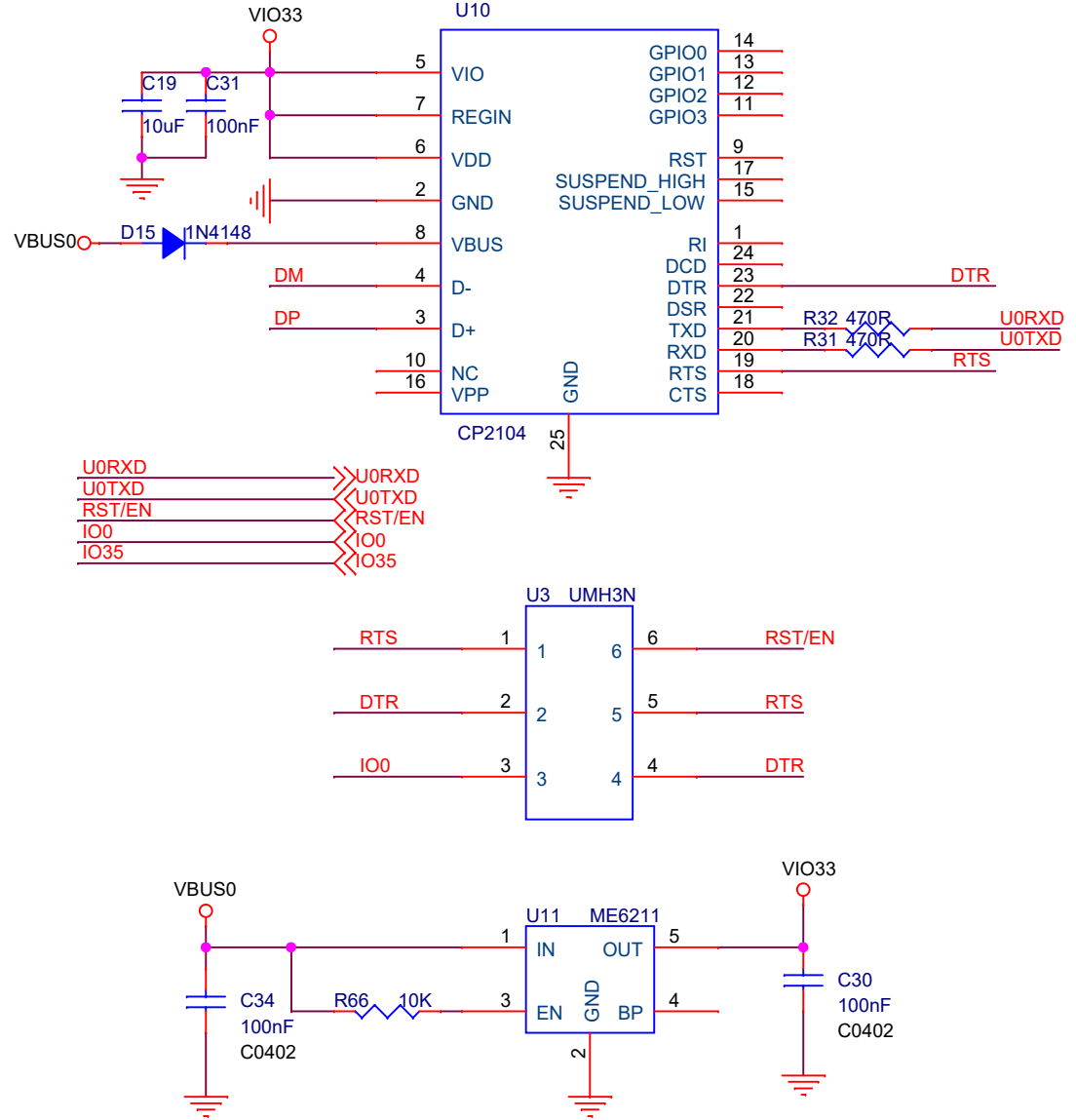
USB



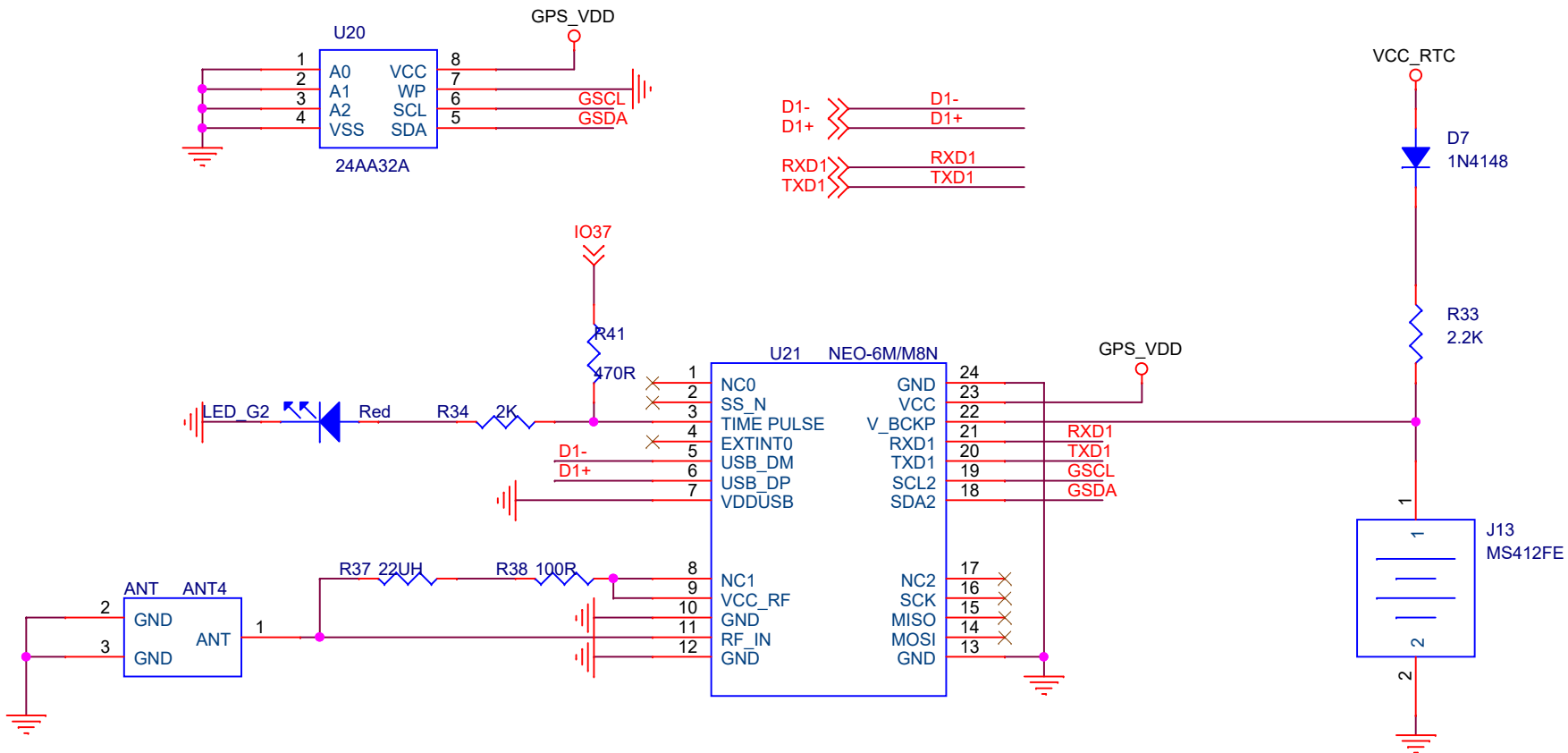
RST



UART



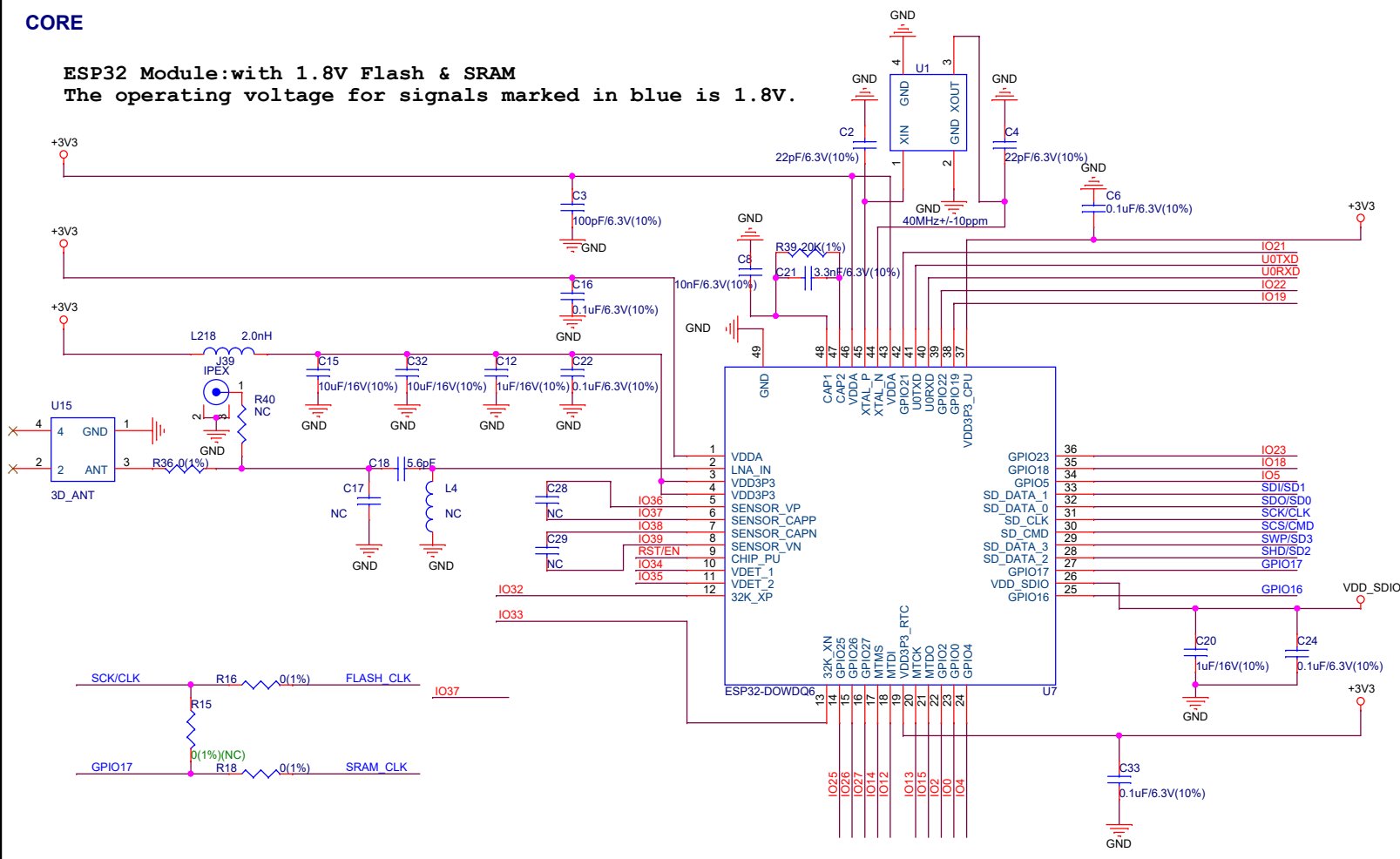
Title		
T22_V1.0		
Size	Document Number	Rev
A	POWER	V1.0
Date:	Thursday, May 21, 2020	Sheet 2 of 5



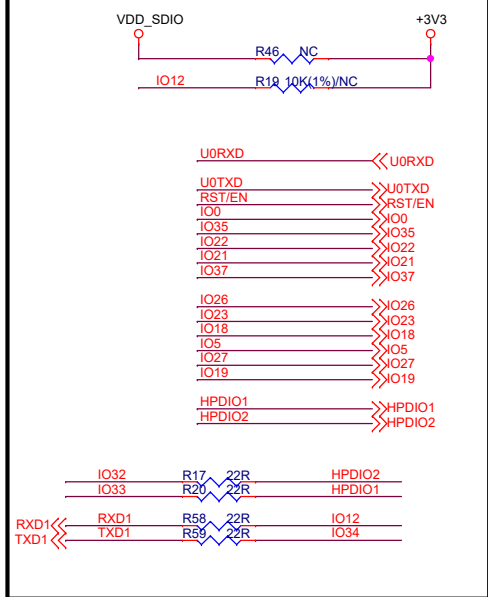
Title		
T22_V1.0		
Size	Document Number	Rev
A	GPS	V1.0
Date:	Thursday, May 21, 2020	Sheet 3 of 5

CORE

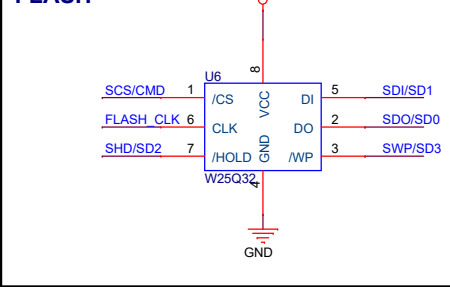
ESP32 Module:with 1.8V Flash & SRAM
The operating voltage for signals marked in blue is 1.8V.



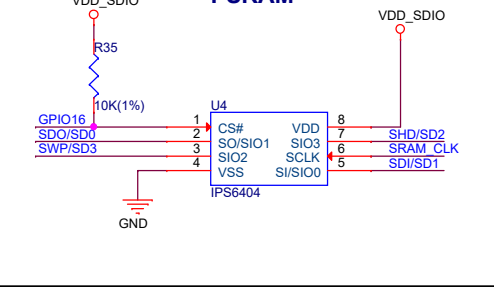
GPIO



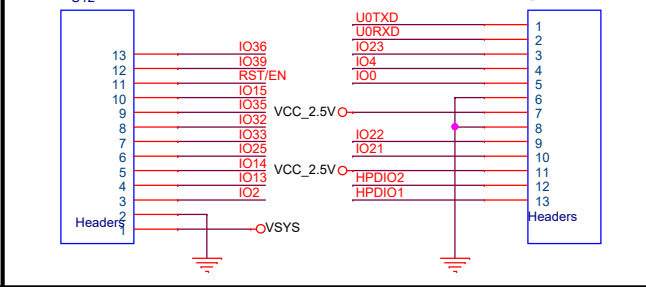
FLASH



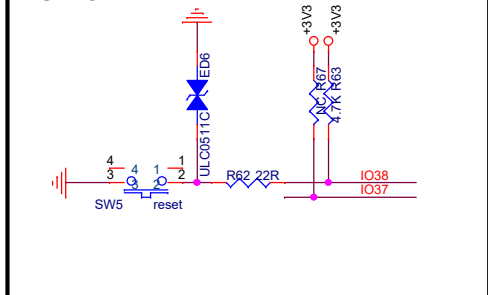
PSRAM



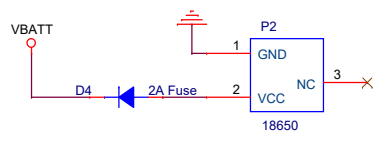
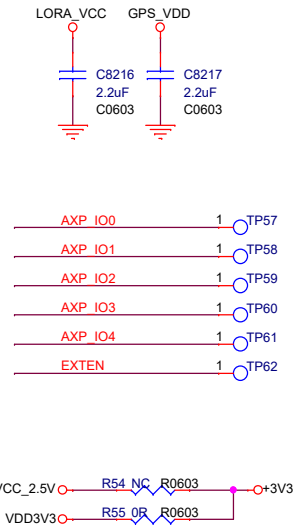
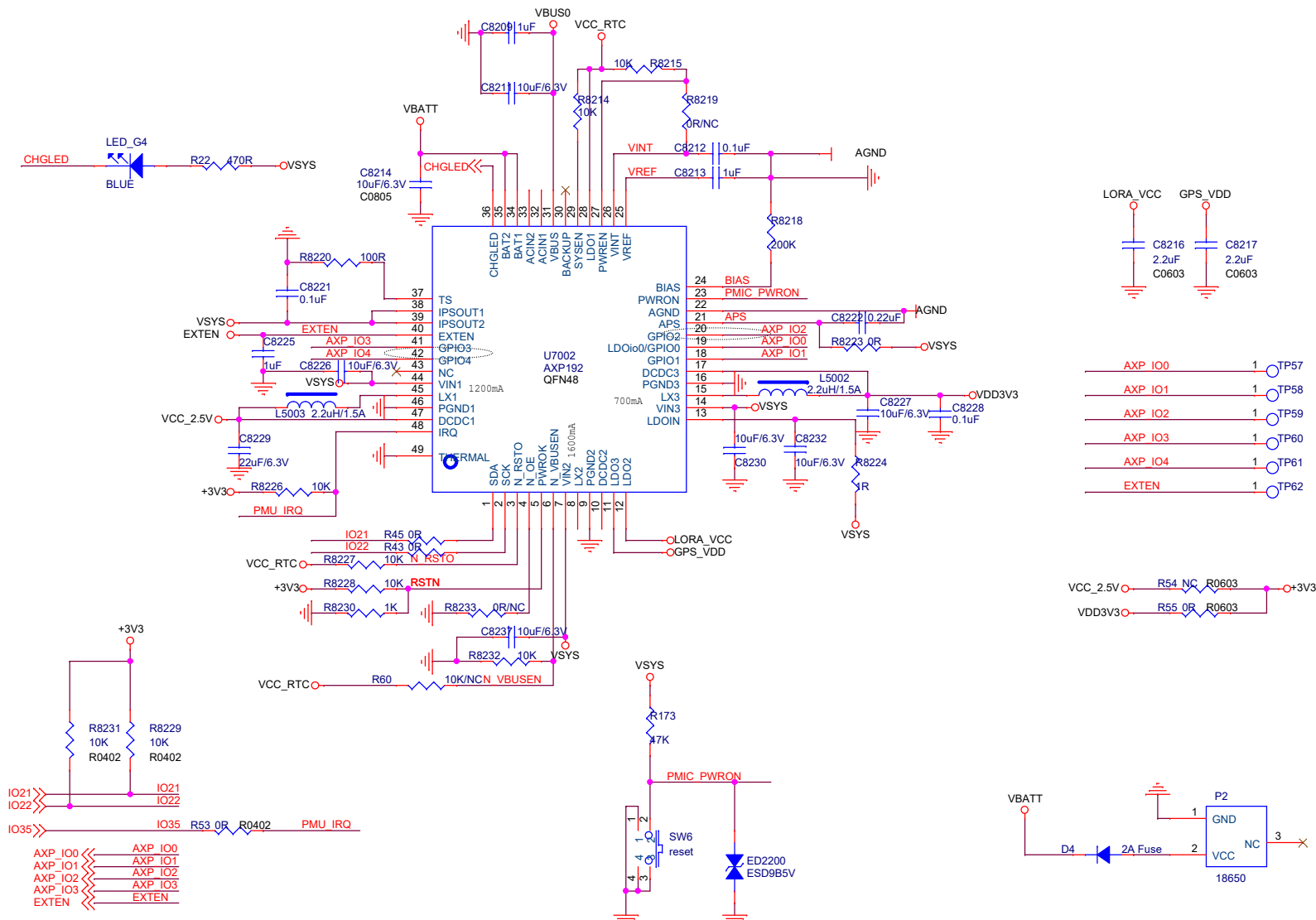
Connector



BUTTON



Title		
T22_V1.0		
Size	Document Number	Rev
B	ESP32	V1.0
Date:	Thursday, May 21, 2020	Sheet 4 of 5



Title		
T22_V1.0		
Size	Document Number	Rev
B	AXP192	V1.0
Date:	Thursday, May 21, 2020	Sheet 5 of 5