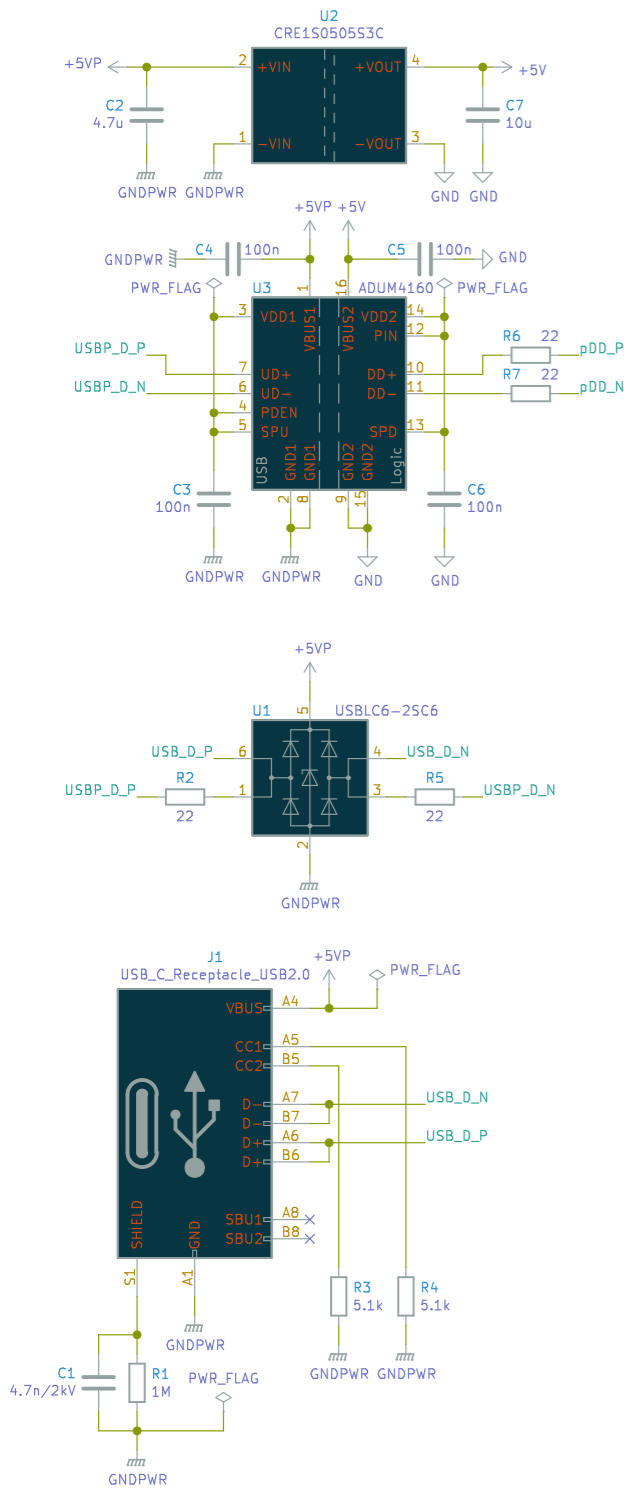
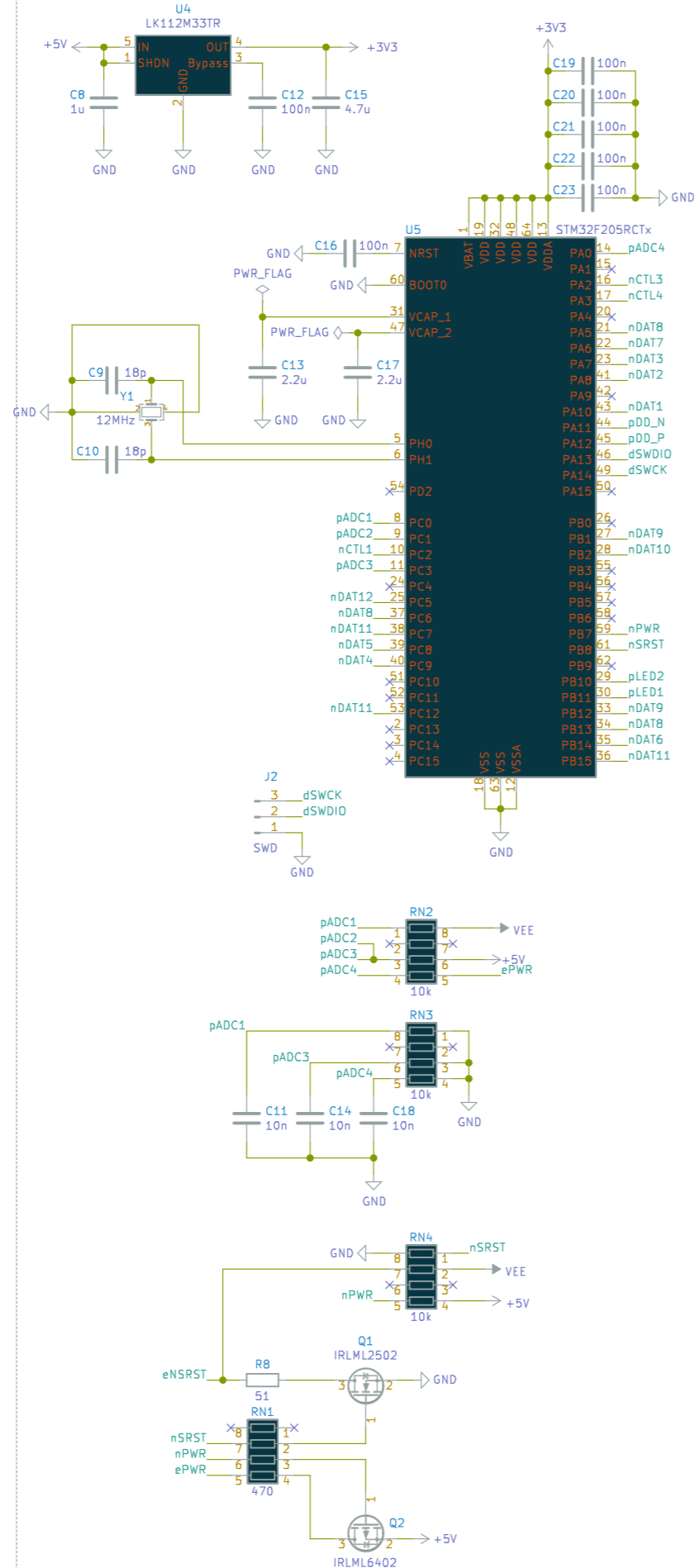


# USB ISOLATOR



# MCU



# TARGET INTERFACE

