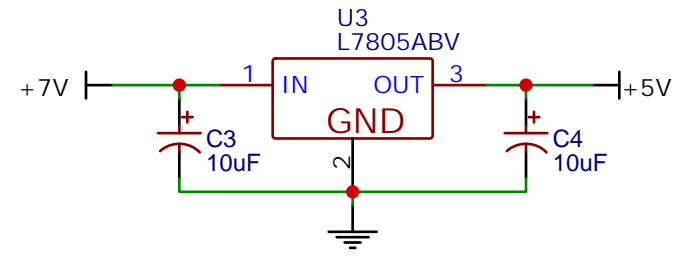
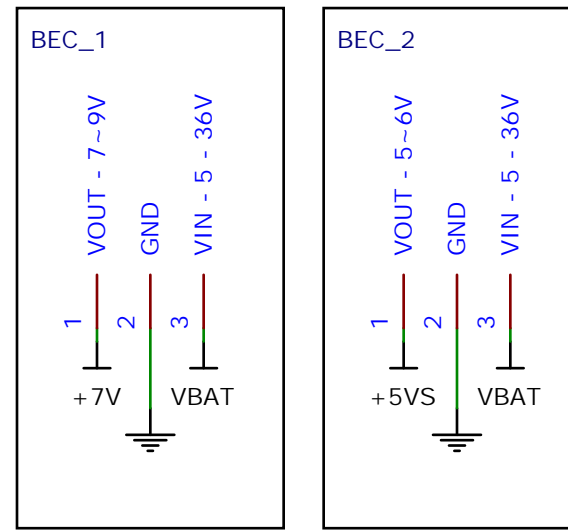
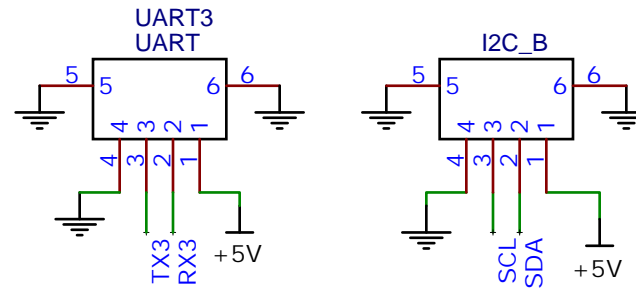


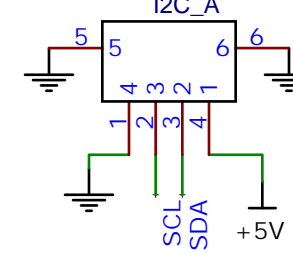
Voltage Regulation



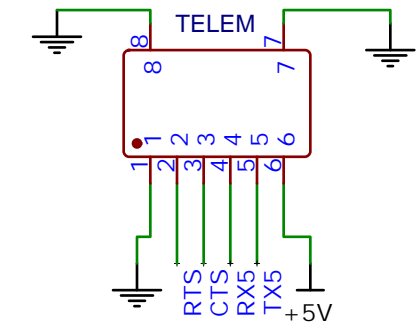
SM04B-GHS-TB



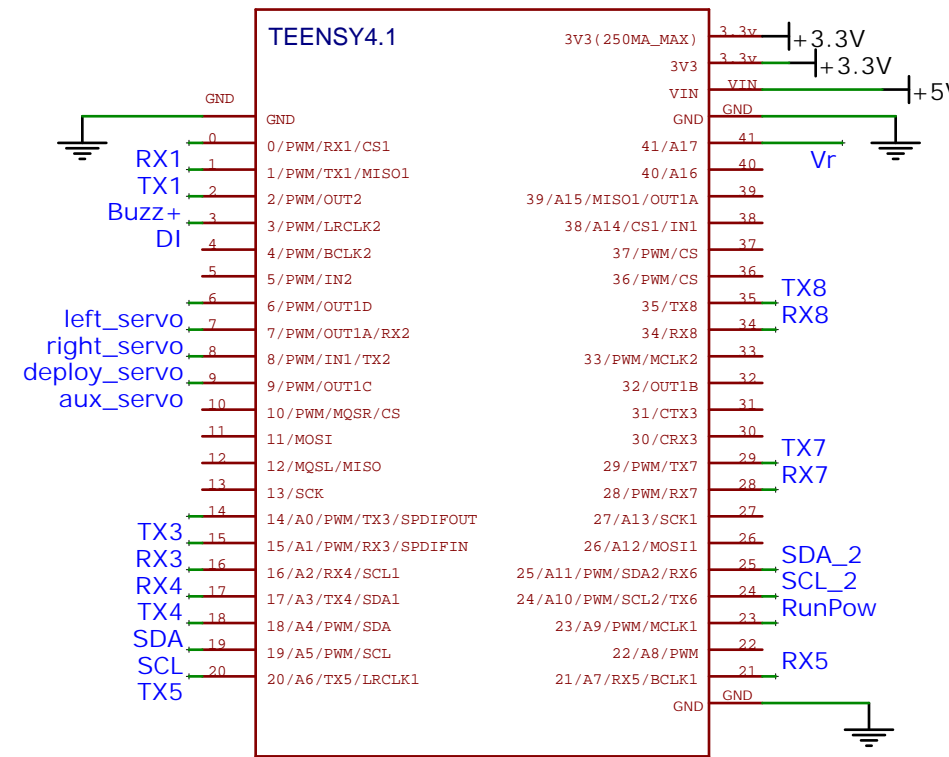
BM04B-GHS-TB



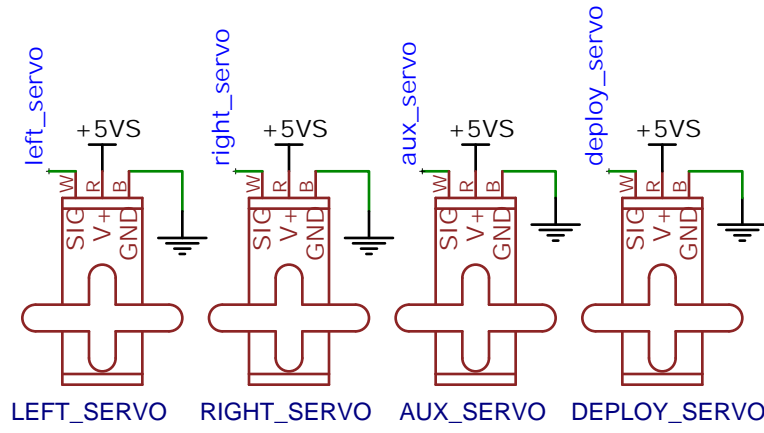
SM06B-GHS-TB



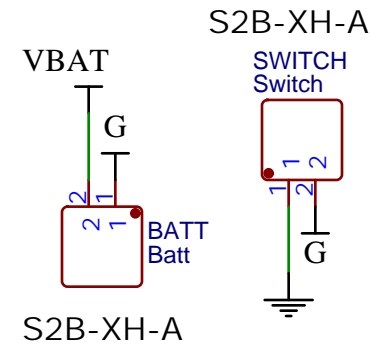
Teensy, 2.54mm female headers



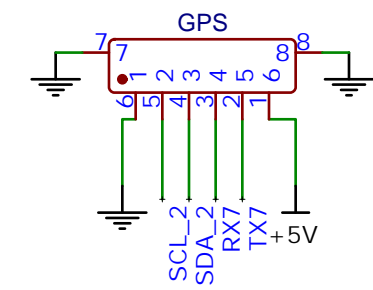
Servos



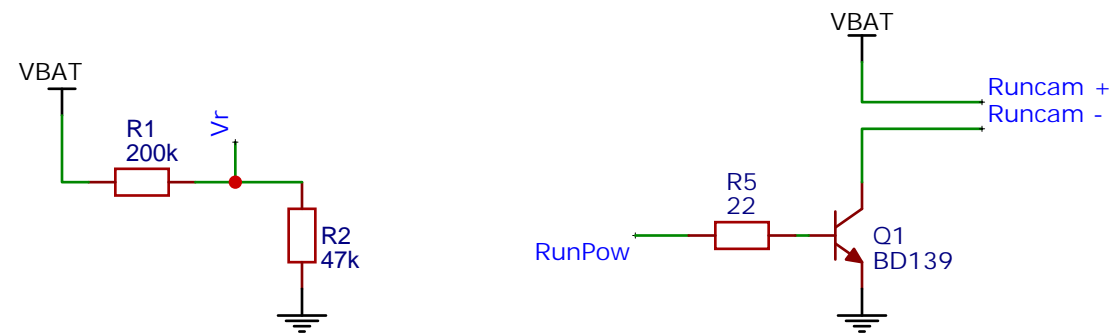
Battery Connection



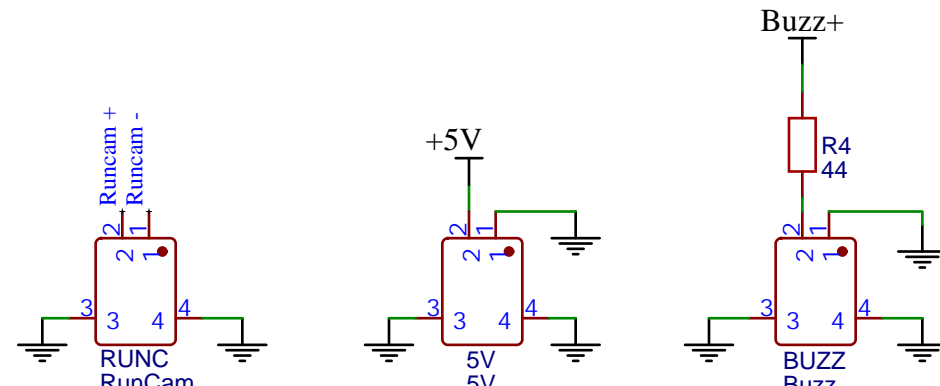
BM04B-GHS-TBT



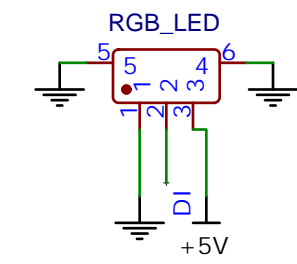
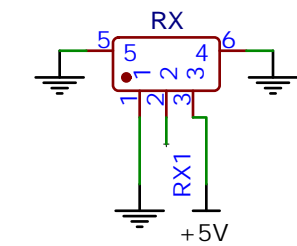
MISC



SM02B-GHS-TB



SM03B-GHS-TB



TITLE:	R2Home_PCB_V2	REV: 1.0
	Company: U1SYS	Sheet: 1/1
	Date: 2022-02-15	Drawn By: Yohan HADJI