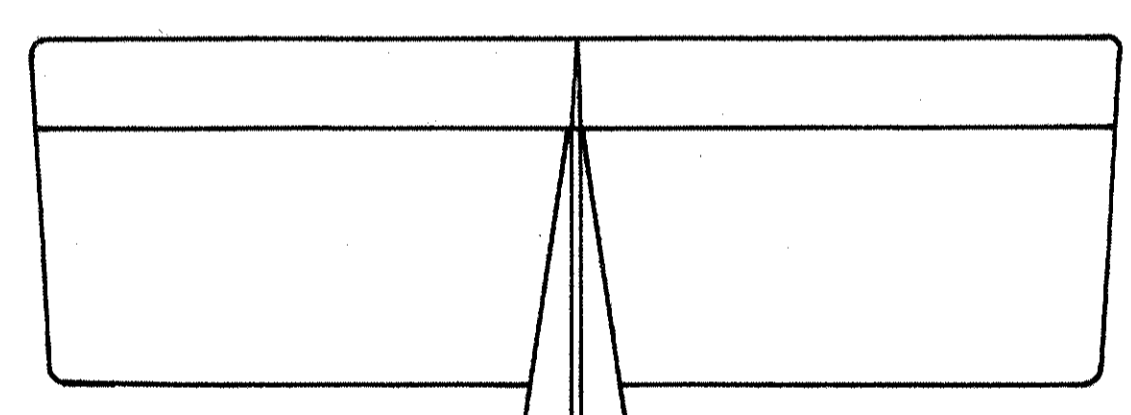
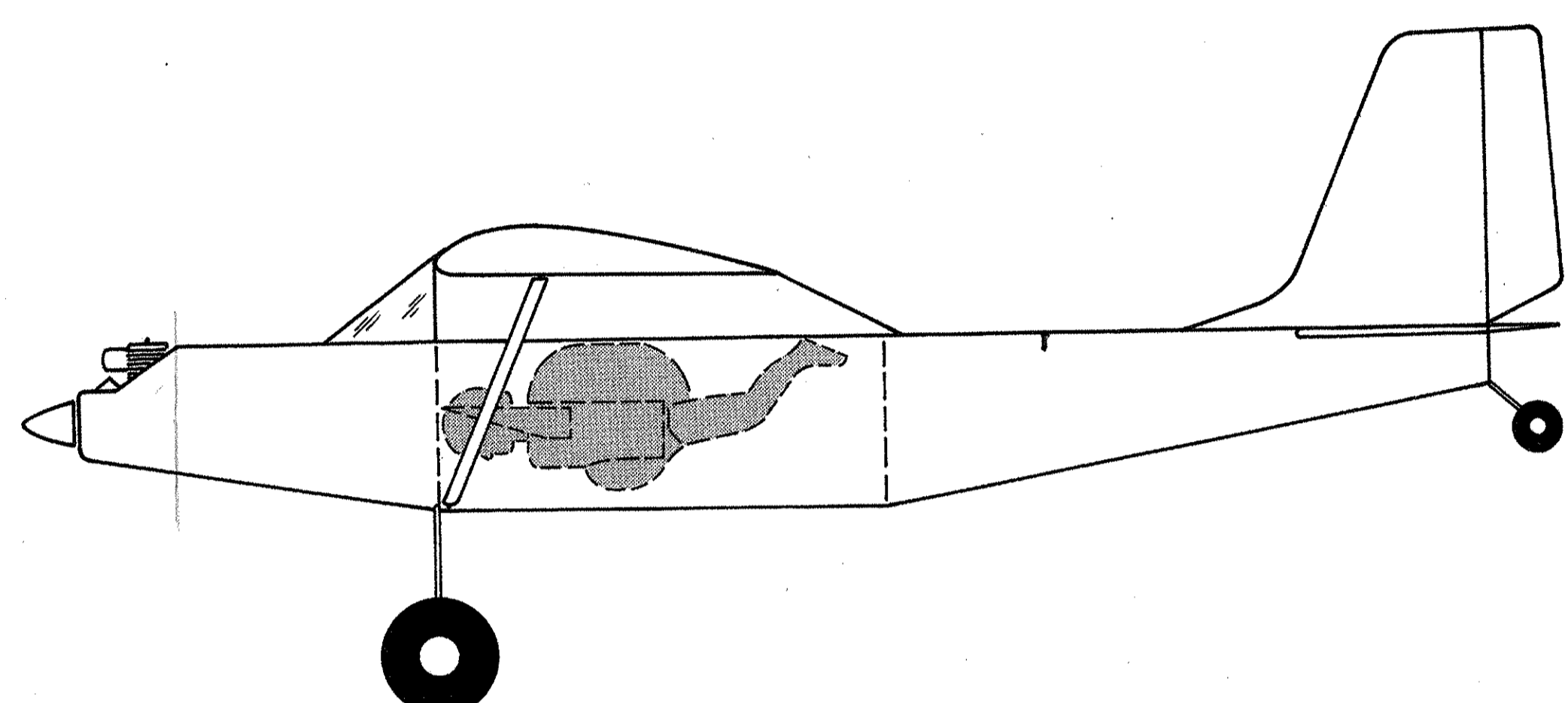
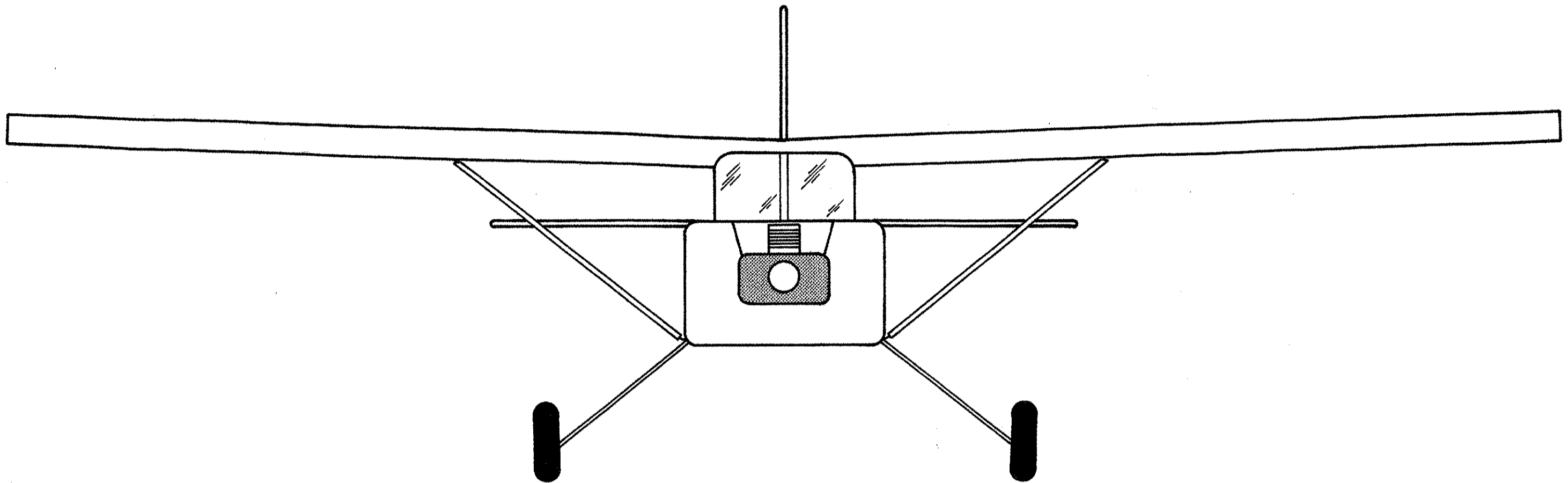
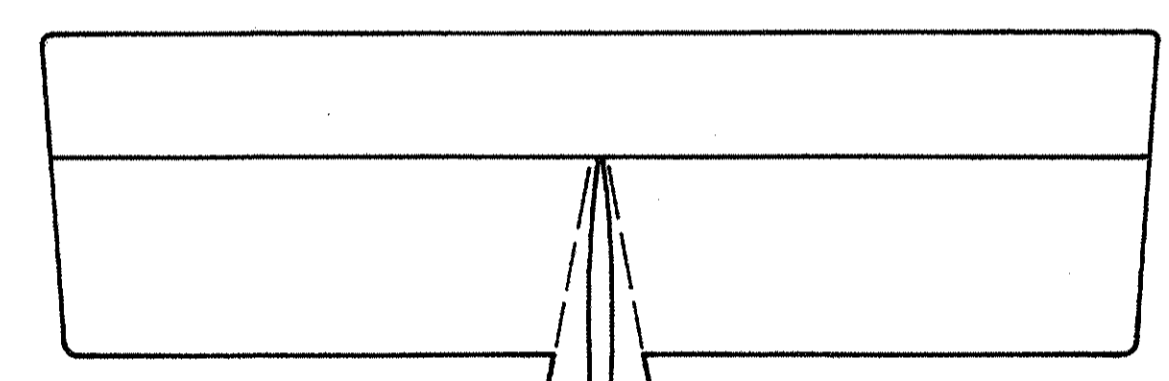
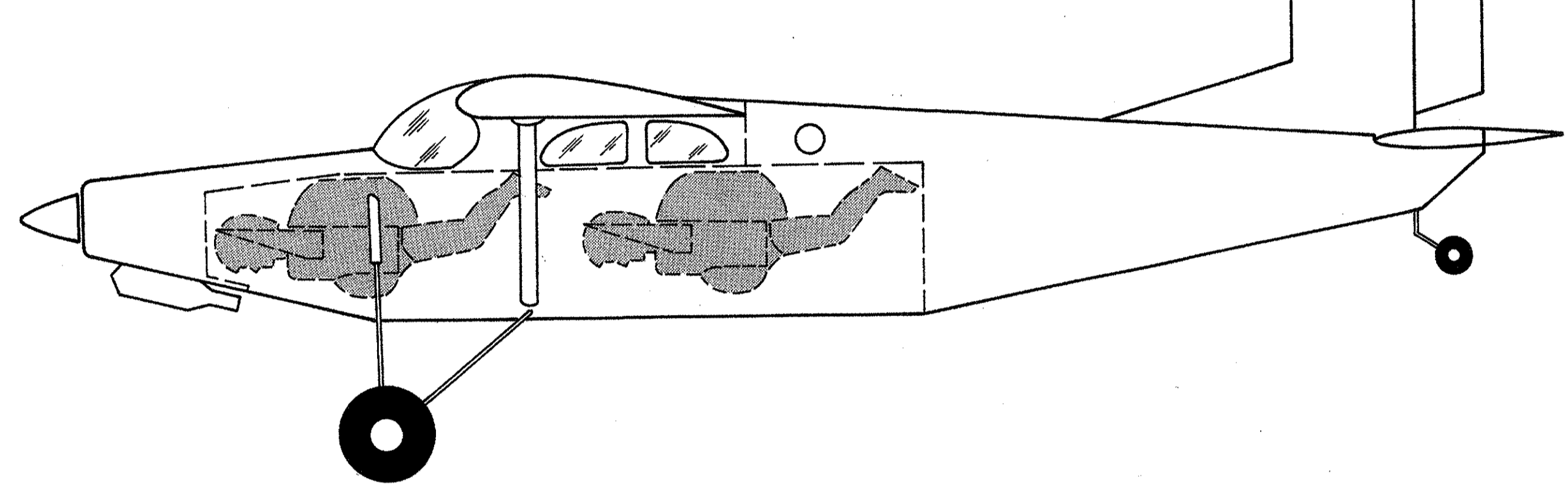
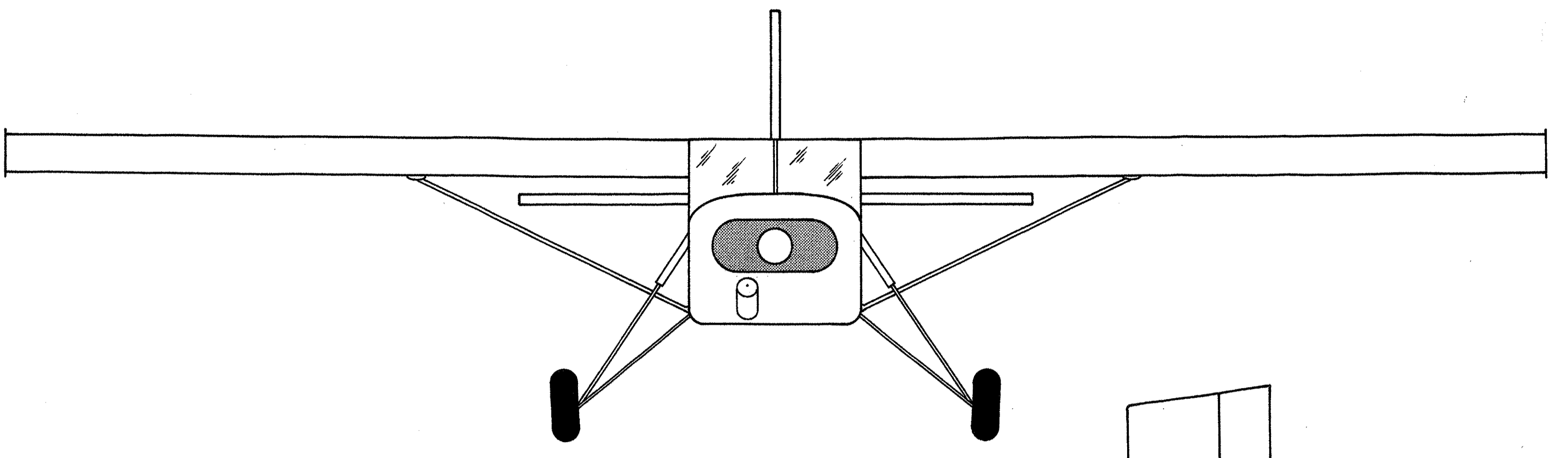
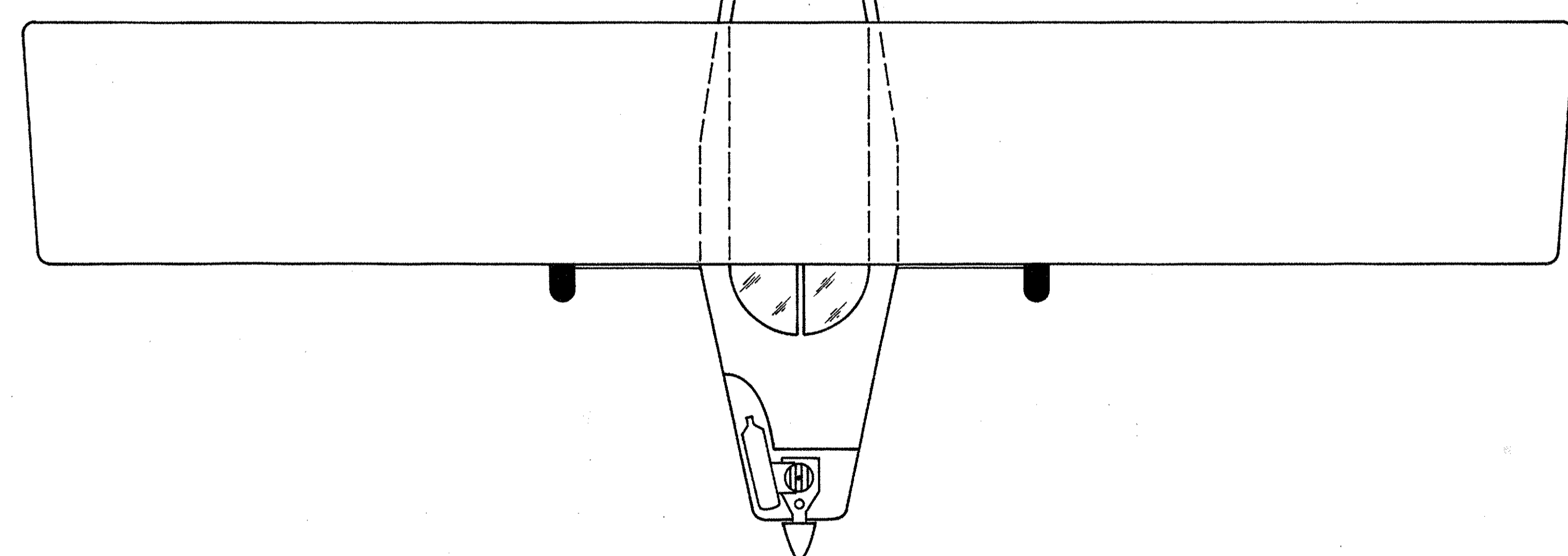


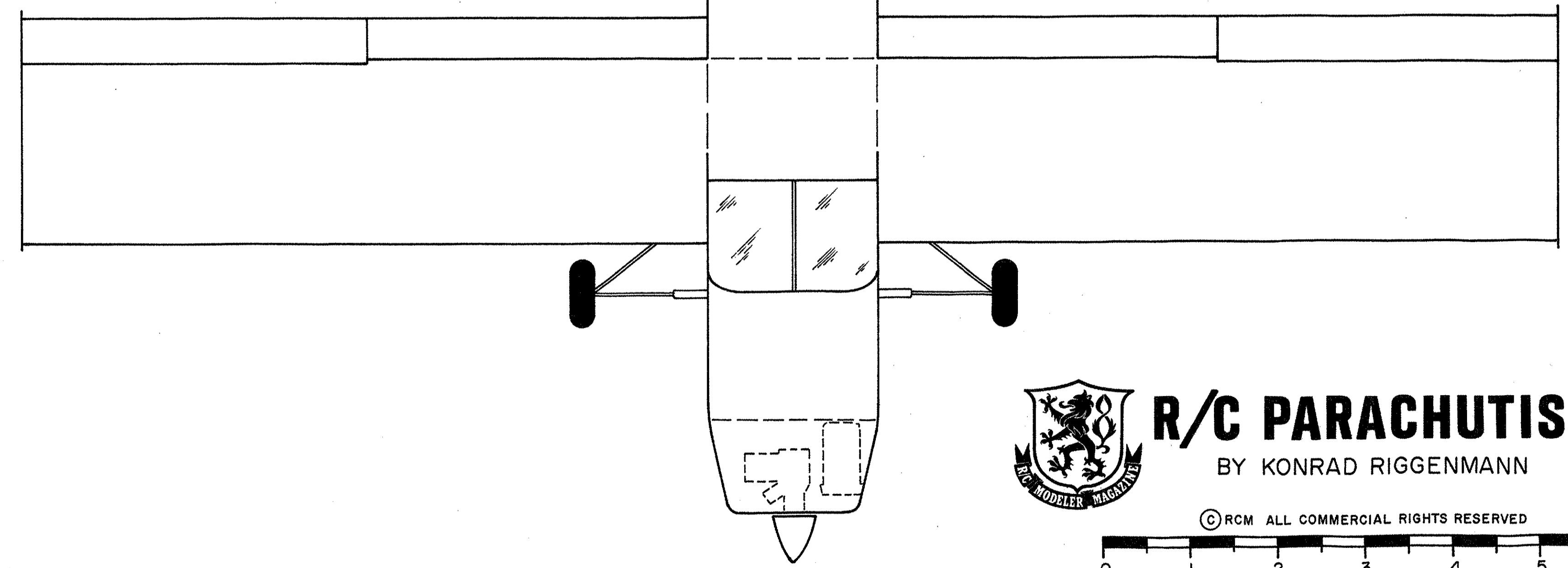
2575 J2418189 + 281011212



**CARGO**  
WING SPAN 77" LENGTH 55"  
WEIGHT 7LB. READY TO FLY  
ENGINE SIZE .40 TO .60 CU. IN.



**PORTER**  
WING SPAN 90" LENGTH 64"  
WEIGHT 10LB. + 1 OR 2 JUMPERS  
2 PIECE WING & FUSELAGE  
ENGINE SIZE .60 TO .80 CU. IN.



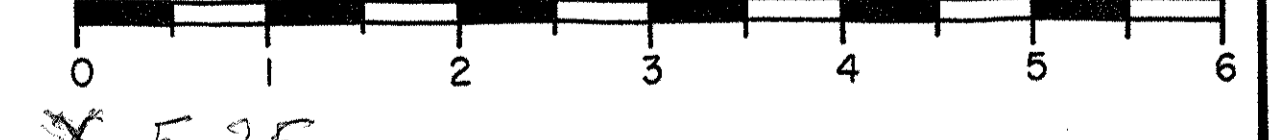
281011212

www.rcmmagazine.com



**R/C PARACHUTIST**  
BY KONRAD RIGGENMANN

© RCM ALL COMMERCIAL RIGHTS RESERVED



X 5.25

Sheet 2 of 2 PLAN NO. 631