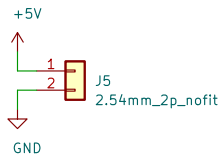
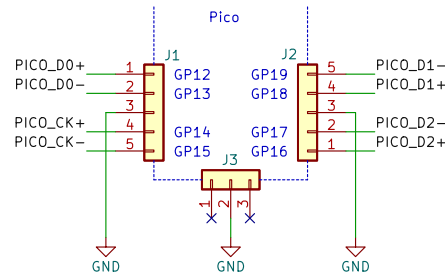


### Optional 5V Header (no-fit)

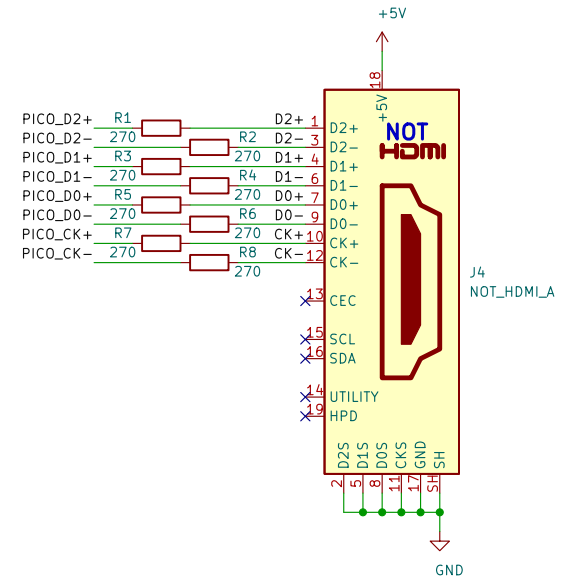


You're supposed to drive the 5V line before outputting video (it's part of a nominal startup state machine in the DVI spec, not just for supplying the DDC + EDID). However most monitors don't seem to care, and the VBUS pin is at the far end of Pico, so this board just hooks up the grounds and the TMDS lanes, not the +5V. If you have trouble you can fit this header and supply 5V to the Sink through it.

### Surface mount footprint for the non-USB end of a RPi Pico



### Socket which I can't say the name of



The raspberry end of a RPi Pico is surface mounted onto this board, to fit a DMI (the H is silent) connector onto the end opposite the micro-USB. It's pretty low-profile on the bottom, so you can fit headers to the remaining Pico I/O pins and stick the board into a breadboard. Micro-USB one end, video the other end.

**Luke Wren**

Sheet: /  
File: dvi-sock.kicad\_sch

**Title: Pico DVI Sock (or Shim, or something, idk what to call it)**

Size: A4 Date: 2021-02-02 Rev: A

KiCad E.D.A. kicad 5.99.0-unknown-8eca23aabe115ubuntu20.04.1 Id: 1/1