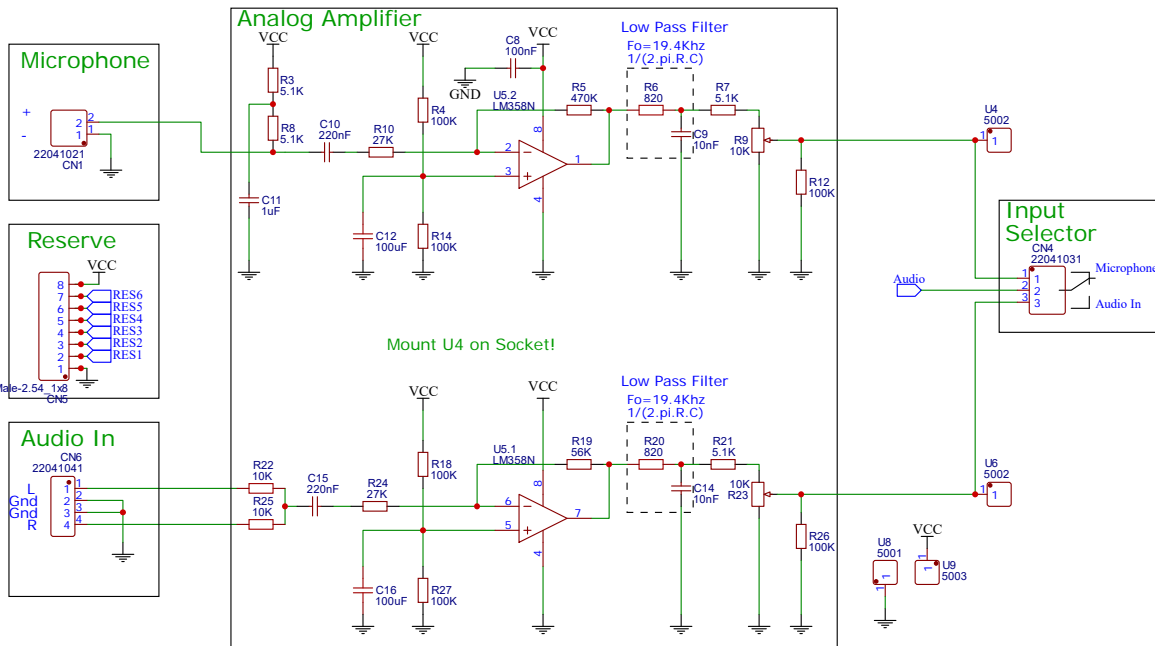
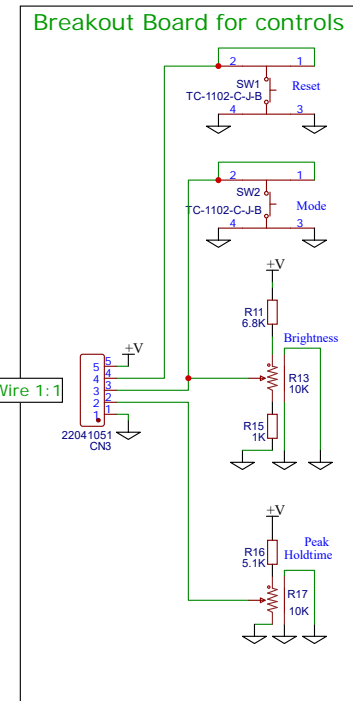


www.theelectronicengineer.nl

Spectrum Analyzer V4.1
 FFT version 8,16,32 Channels
 Audio line in or
 Audio Mic In
 Matrix HUB75E display or
 LEDstrip Matrix WS2812 or similar



TITLE:	Spectrum Analyzer 4.0 FFT	REV: 4.1
Company:	The Electronic Engineer	Sheet: 1/1
Date:	28 May 2021	Drawn By: Mark Donners

