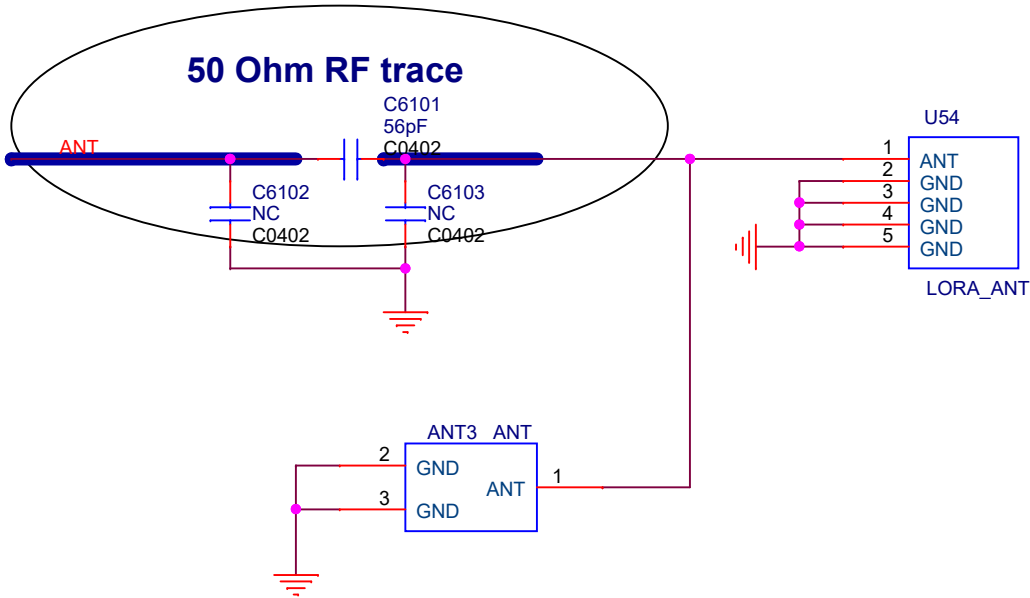
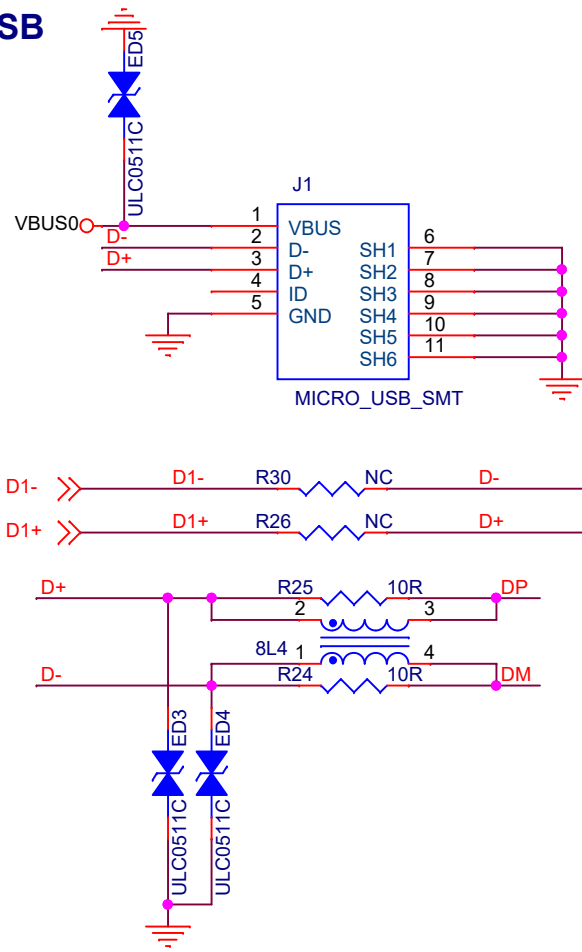


IO23=IRQ/RESET  
 IO18=NSS/SEL  
 IO5=SCK  
 IO27=MOSI/SDI  
 IO19=MISO/SDO  
 IO26=DI0/IO0

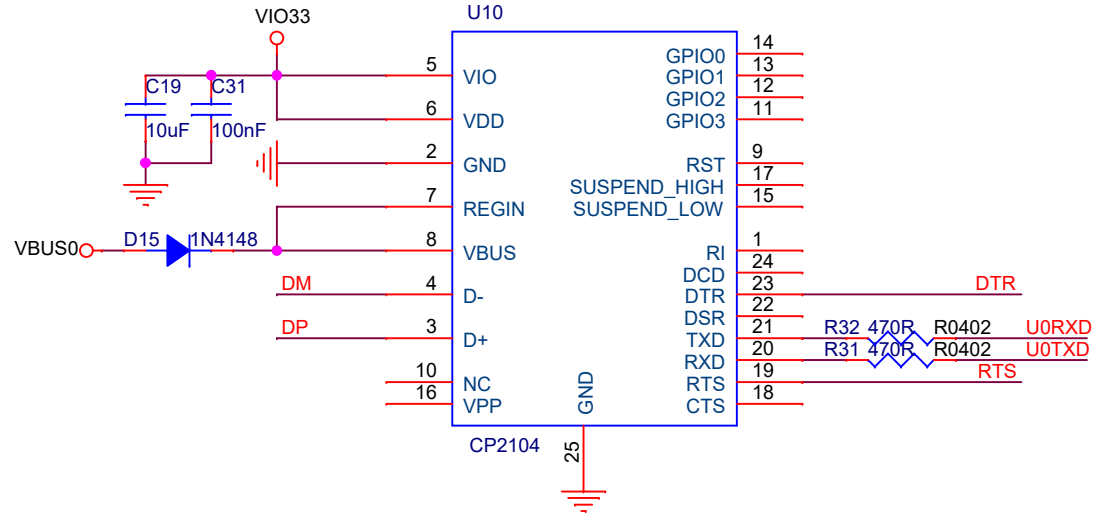


Title		
T22_V1.1		
Size	Document Number	Rev
A	TTGO LORA	V1.1
Date:	Wednesday, April 22, 2020	Sheet 1 of 5

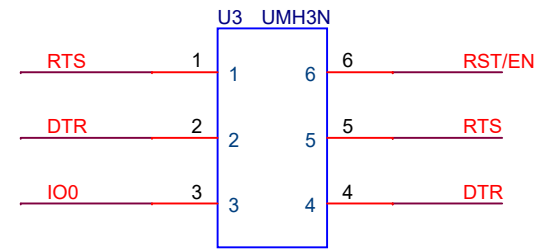
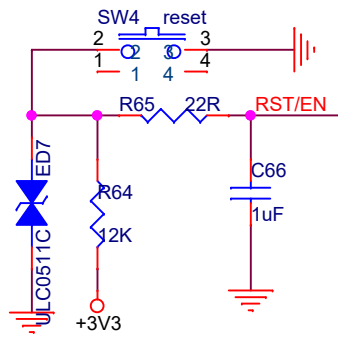
### USB



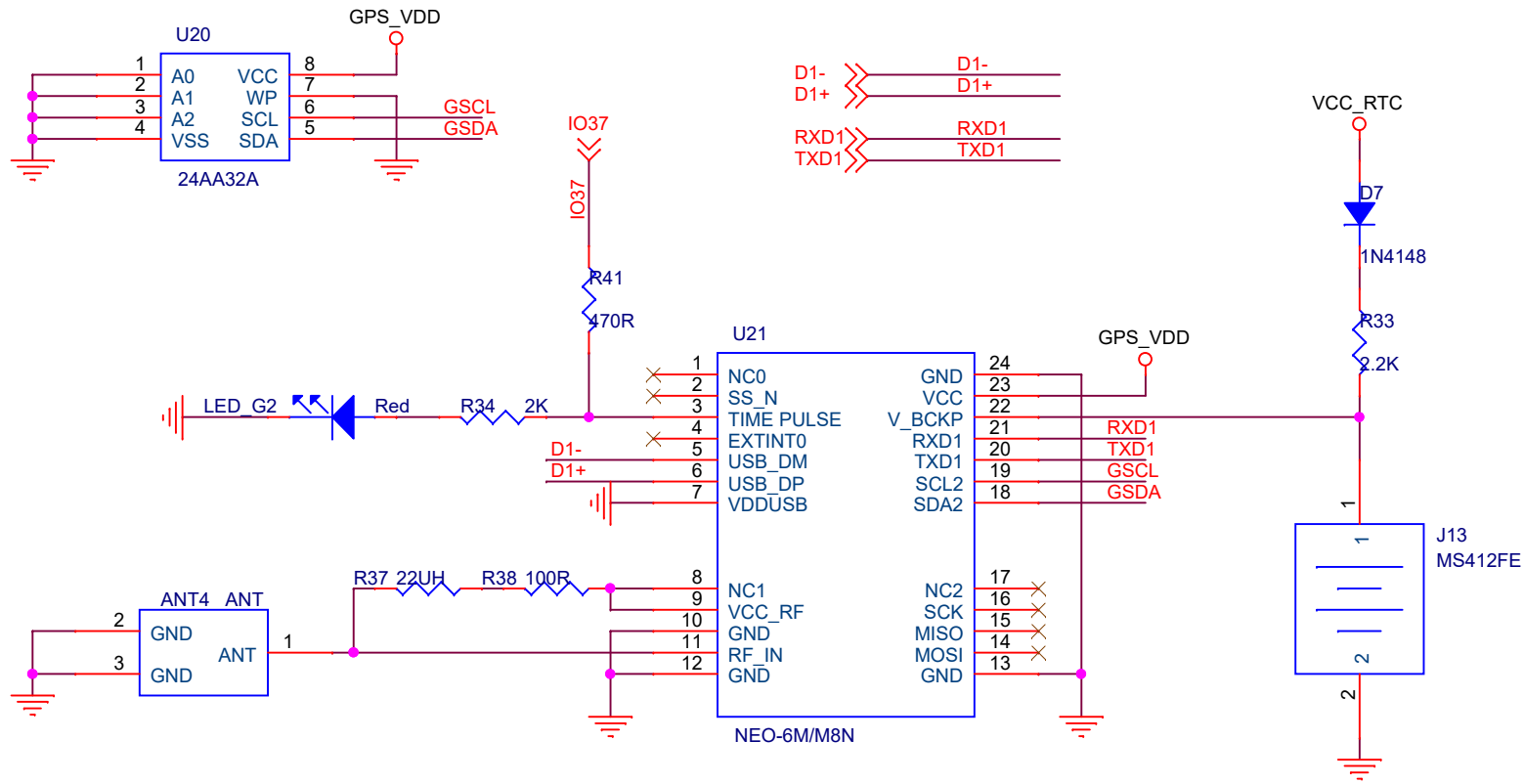
### UART



### RST



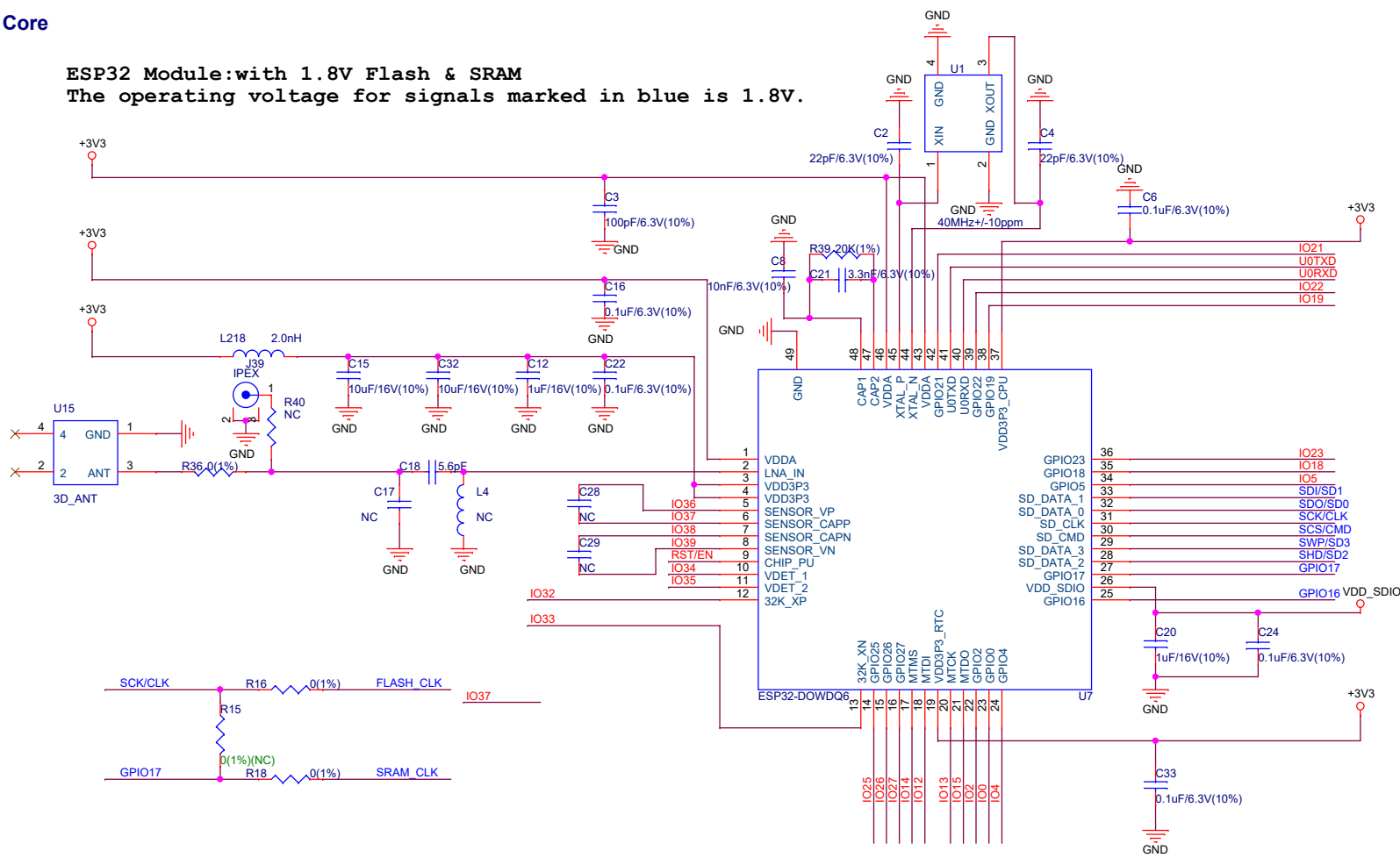
Title		
T22_V1.1		
Size	Document Number	Rev
A	POWER	V1.1
Date:	Wednesday, April 22, 2020	Sheet 2 of 5



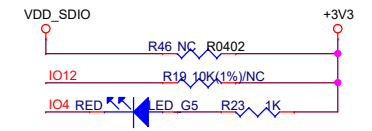
Title		
T22_V1.1		
Size	Document Number	Rev
A	GPS	V1.1
Date:	Wednesday, April 22, 2020	Sheet 3 of 5

# Core

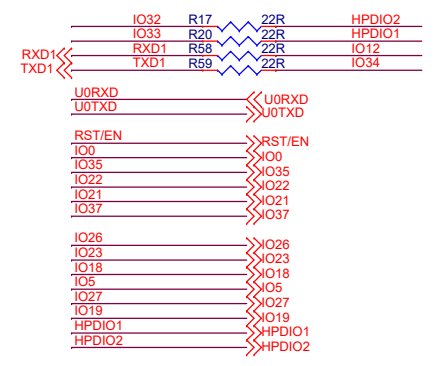
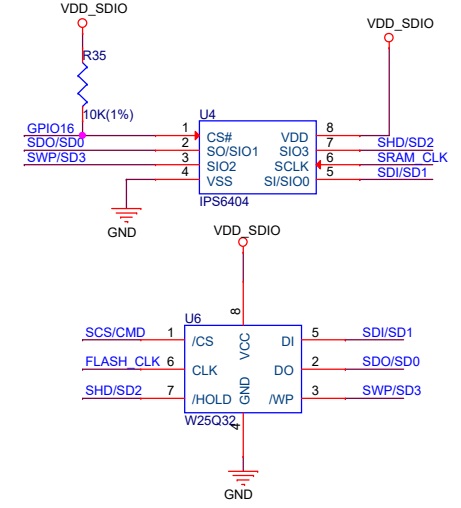
ESP32 Module:with 1.8V Flash & SRAM  
 The operating voltage for signals marked in blue is 1.8V.



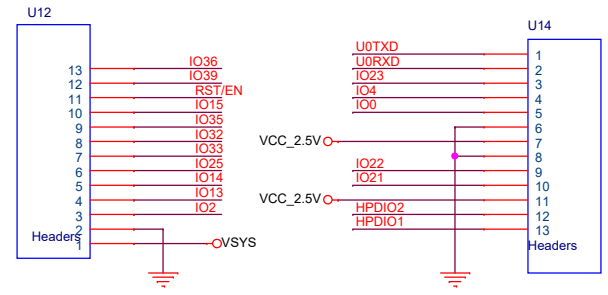
# LED



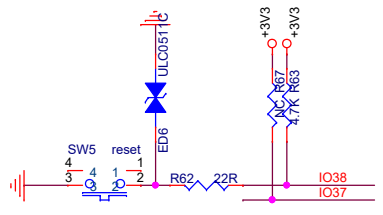
# FLASH/PSRAM



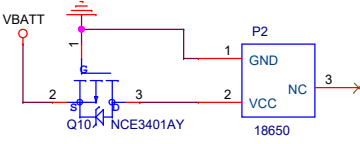
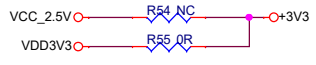
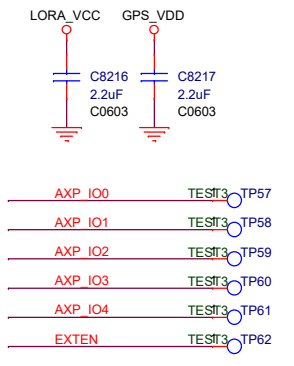
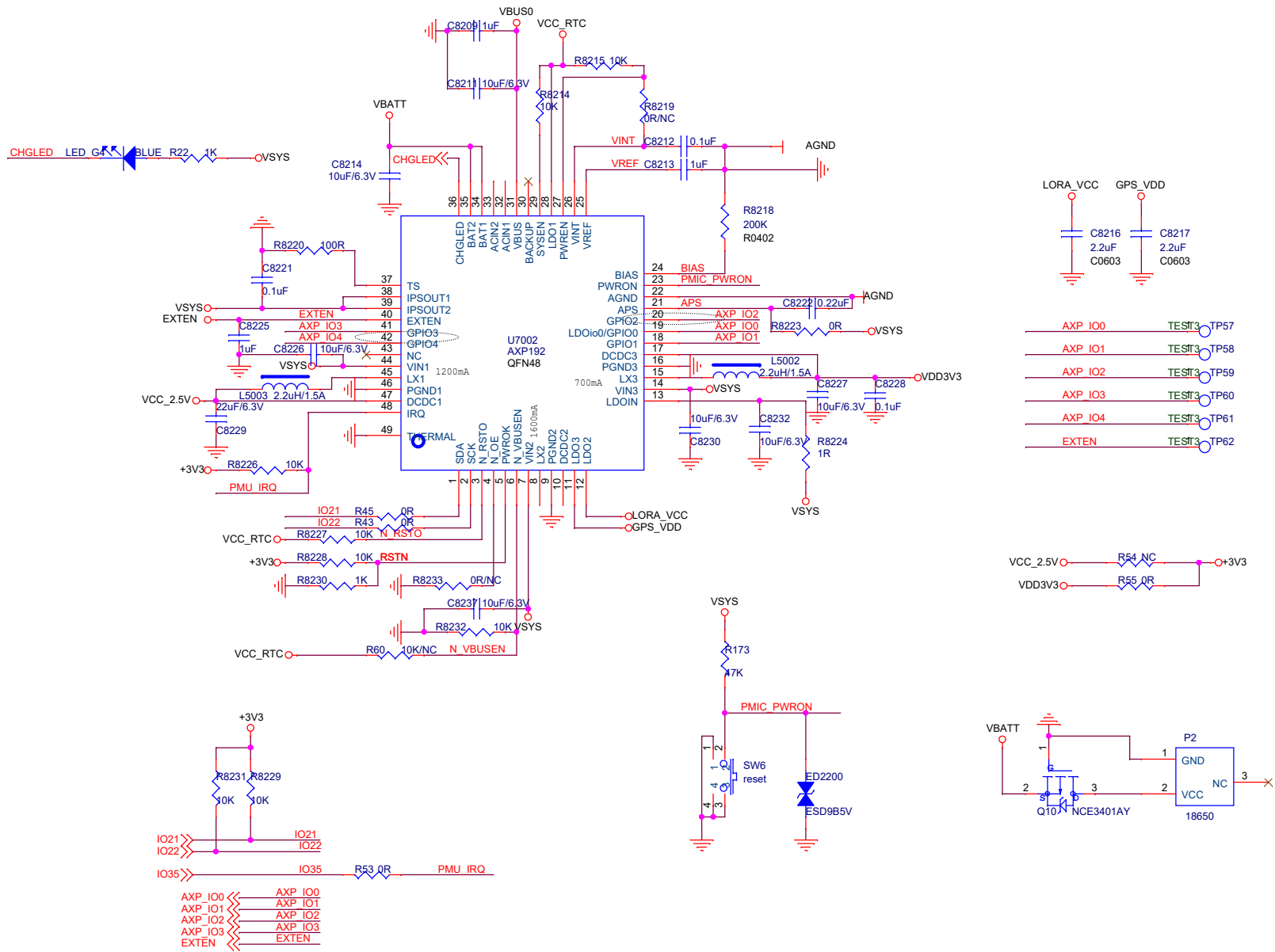
# Connector



# key



Title		
T22_V1.1		
Size	Document Number	Rev
B	ESP32	V1.1
Date:	Wednesday, April 22, 2020	Sheet 4 of 5



- AXP\_IO0 <<< AXP\_IO0
- AXP\_IO1 <<< AXP\_IO1
- AXP\_IO2 <<< AXP\_IO2
- AXP\_IO3 <<< AXP\_IO3
- EXTEN <<< EXTEN

Title		
T22_V1.1		
Size	Document Number	Rev
B	AXP192	V1.1
Date:	Thursday, May 21, 2020	Sheet 5 of 5