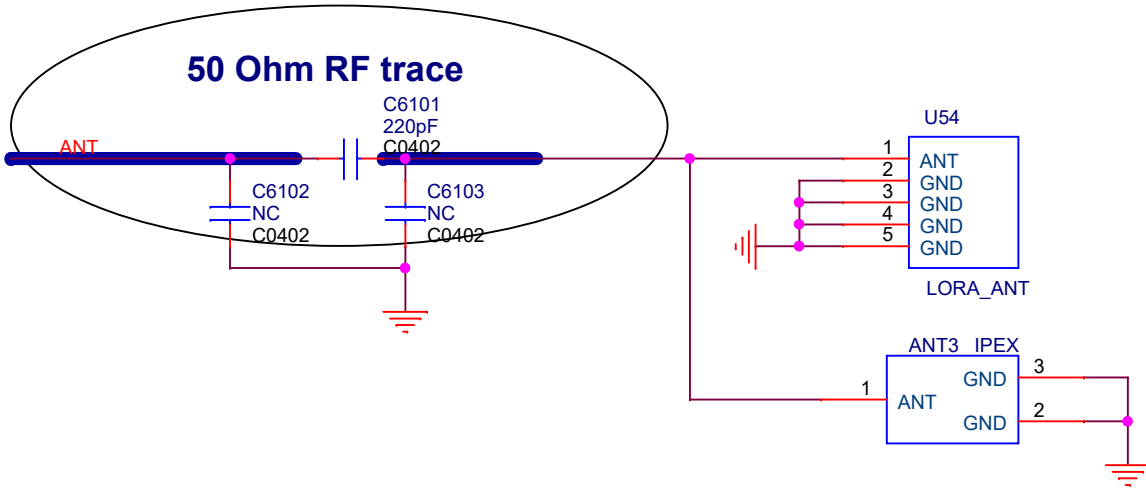
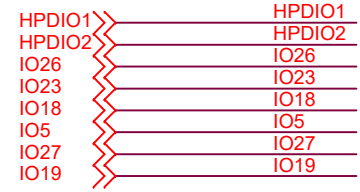
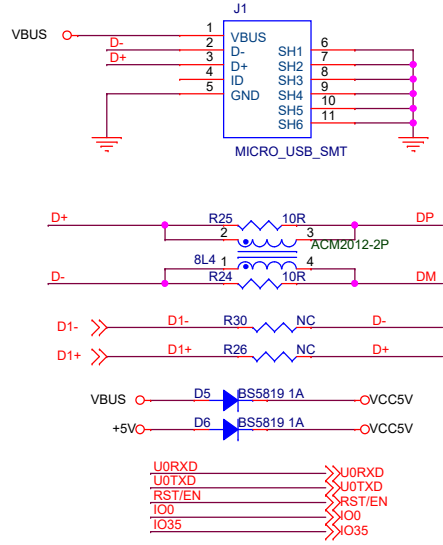


IO23=IRQ/RESET  
 IO18=NSS/SEL  
 IO5=SCK  
 IO27=MOSI/SDI  
 IO19=MISO/SDO  
 IO26=DI0/IO0

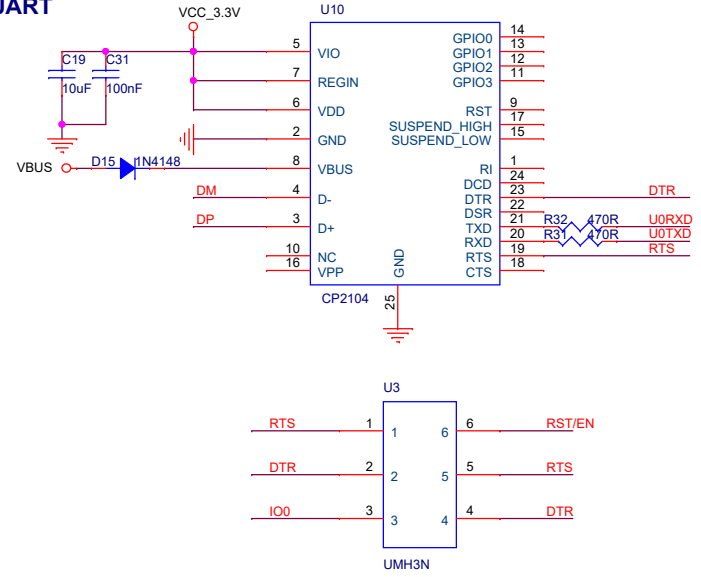


Title		
T22_V07		
Size	Document Number	Rev
A	TTGO LORA	V07
Date:	Thursday, May 21, 2020	Sheet 1 of 4

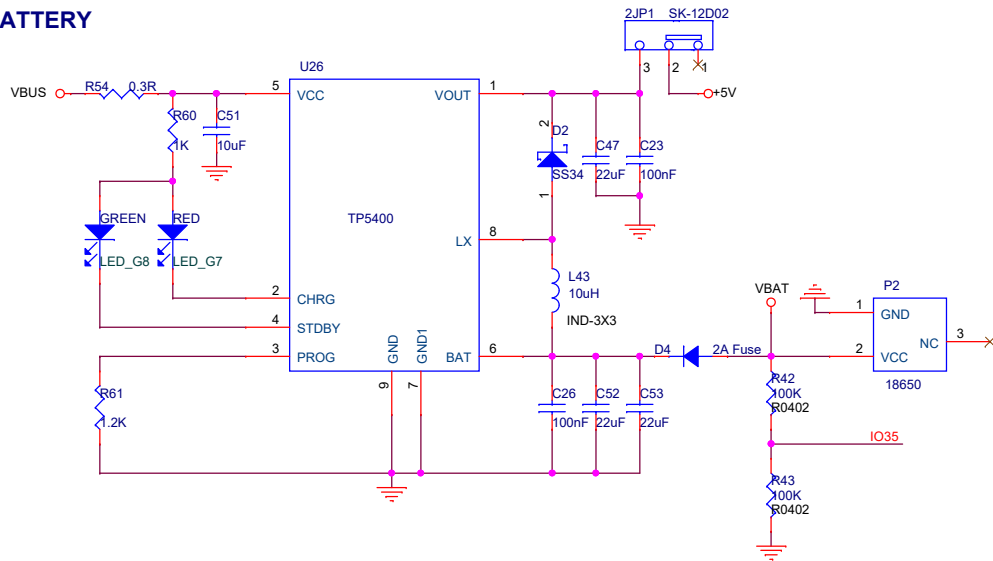
### USB



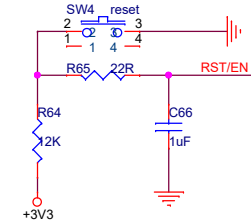
### UART



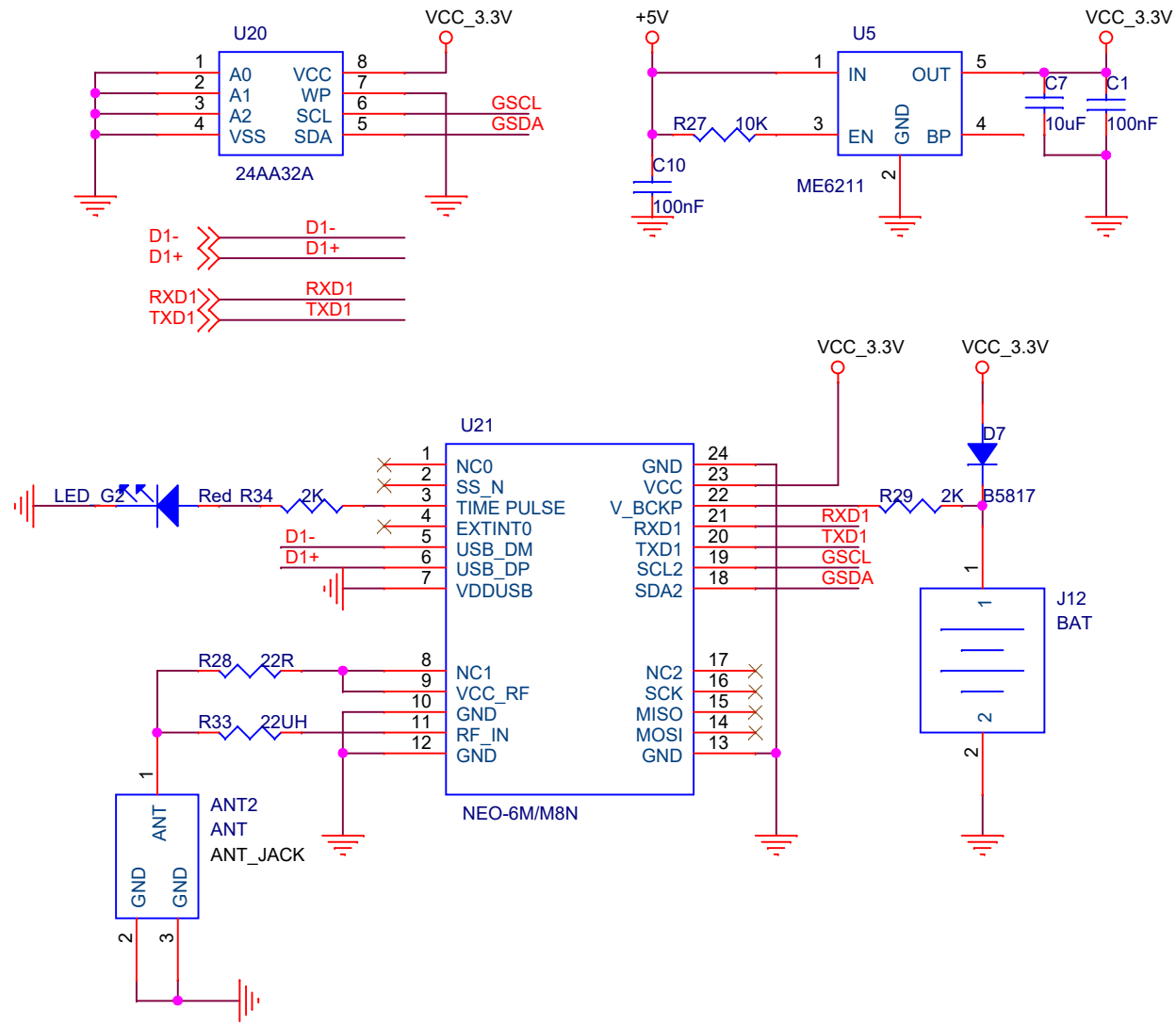
### BATTERY



### RST



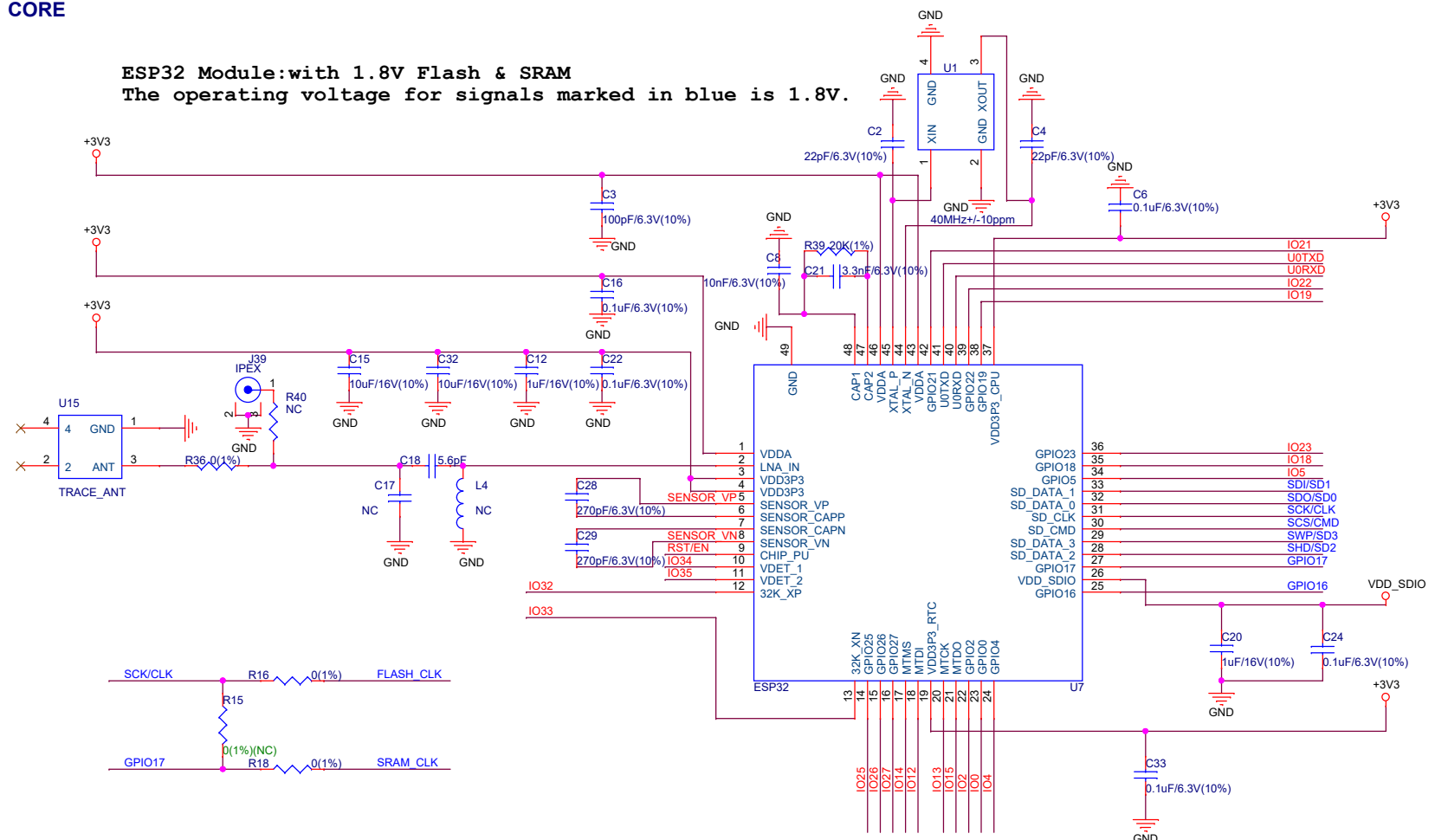
Title		
T22_V07		
Size	Document Number	Rev
B	POWER	V07
Date:	Thursday, May 21, 2020	Sheet 2 of 4



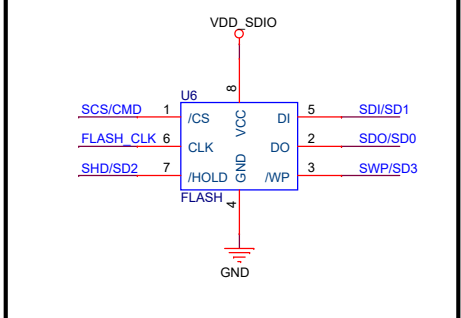
Title		
T22_V07		
Size	Document Number	Rev
A	GPS	V07
Date:	Thursday, May 21, 2020	Sheet 3 of 4

**CORE**

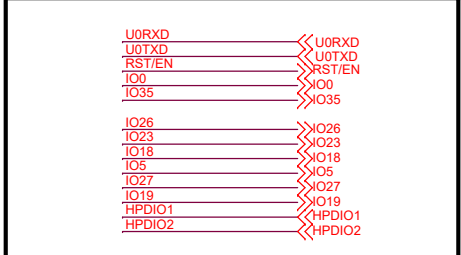
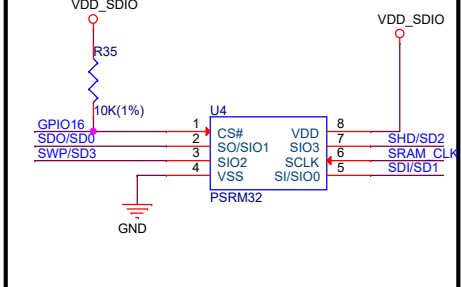
**ESP32 Module:with 1.8V Flash & SRAM**  
 The operating voltage for signals marked in blue is 1.8V.



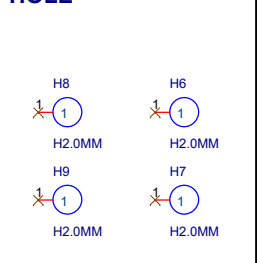
**FLASH**



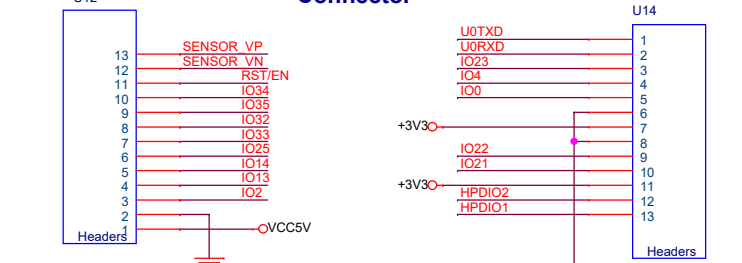
**PSRAM**



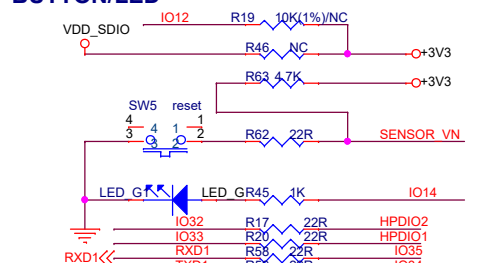
**HOLE**



**Connector**



**BUTTON/LED**



Title		T22_V07	
Size	Document Number	Rev	
B	ESP32	V07	
Date:	Thursday, May 21, 2020	Sheet	4 of 4